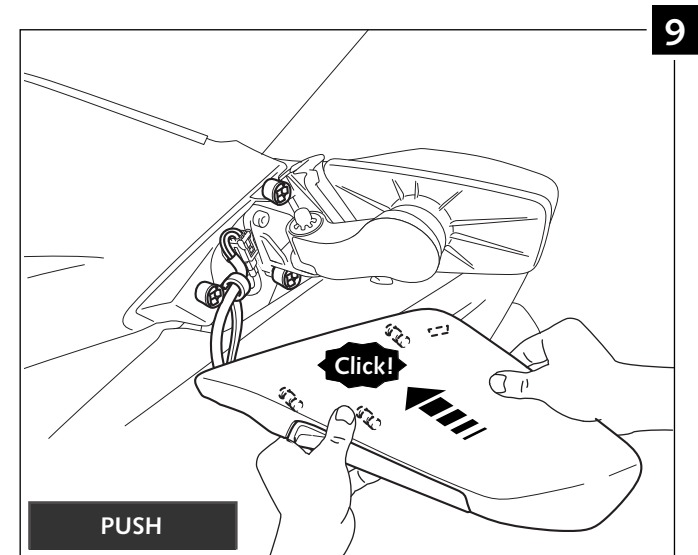
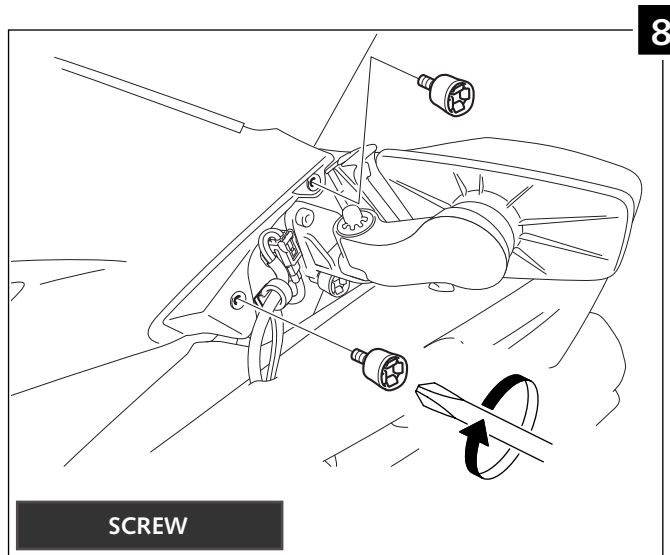
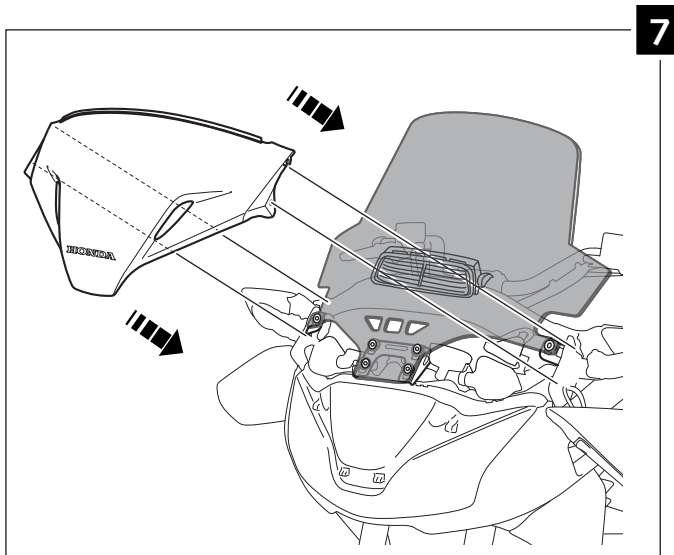
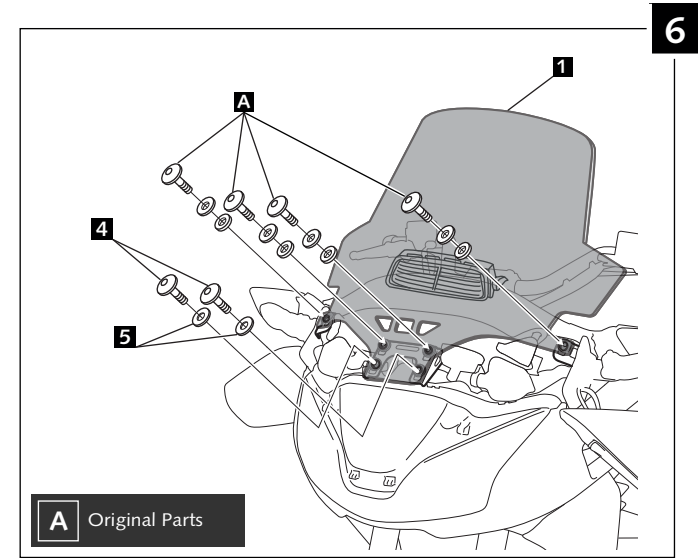
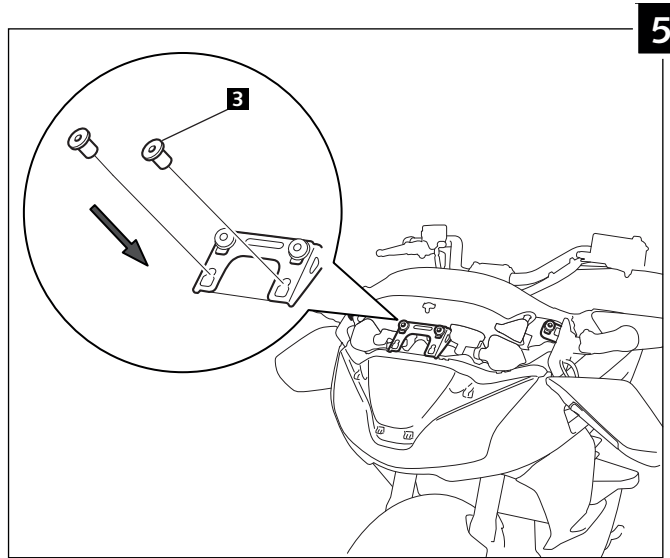
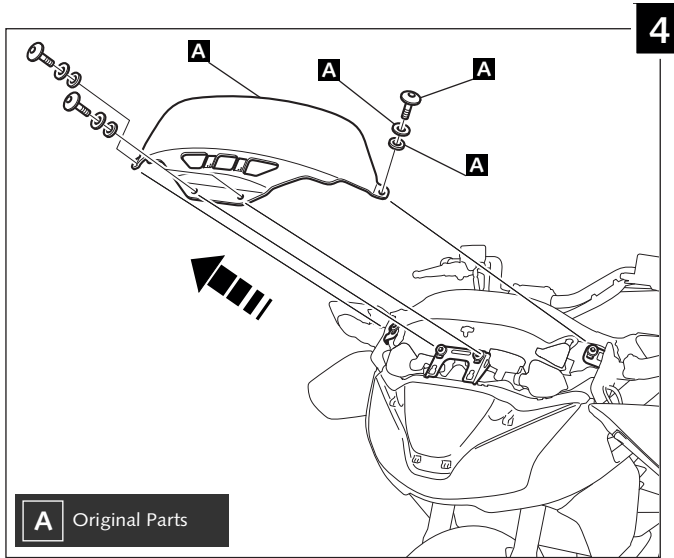


ID.		DESCRIPTION	QTY.
1		Screen	1
2		Visor Vent (supplied mounted in piece n°1)	1
3		M5 Silentblock	2
4		M5X16 ISO 7380 Allen Screw	2
5		M5x0,5 Nylon Washer	2



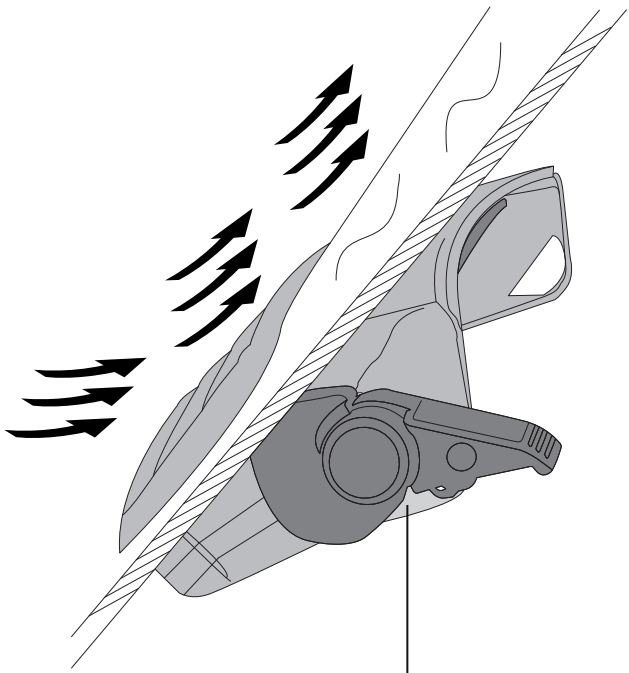


MOUNTING INSTRUCTIONS

TOURING SCREEN FOR  
HONDA CTX 1300

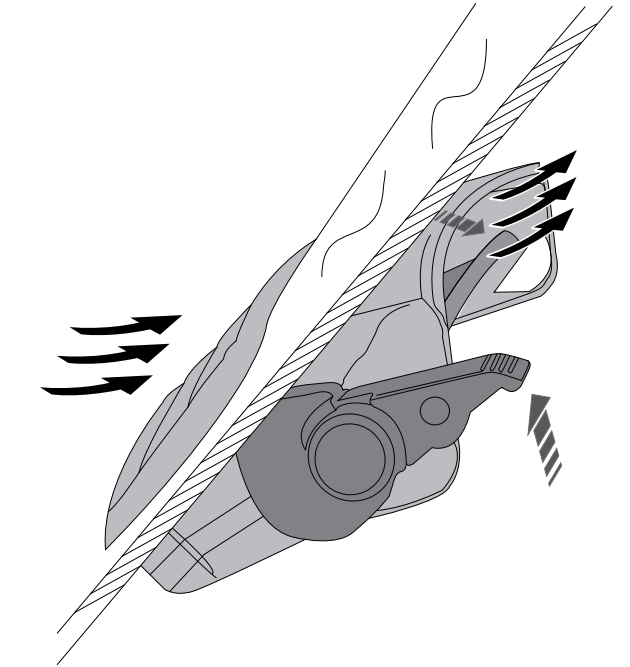
Ref.: 7005

Airflow closed

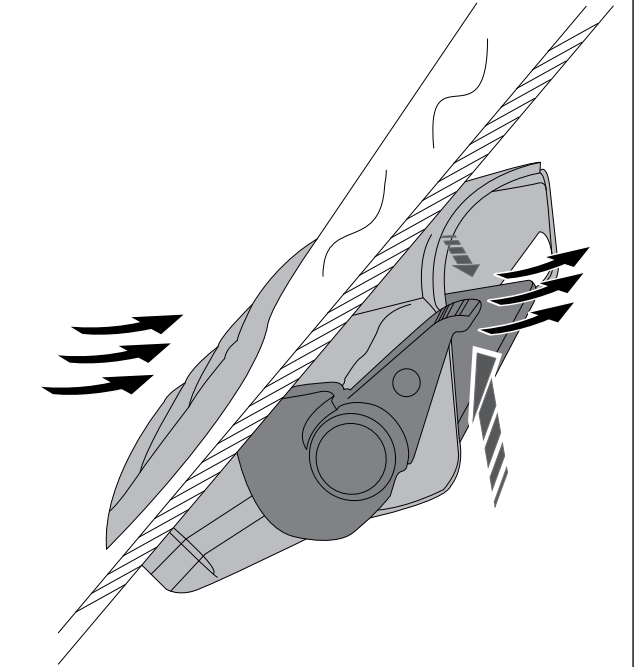


Visor vent

Visor half opened



Air flowing



## TIPS FOR A CORRECT WINDSCREEN ASSEMBLY

Due to storage and transport processes of the windscreens, which are subjected to positions and temperature changes out of our control, this may produce small deformations on the material causing some difficulties on the mounting process. It is recommended to:

- 1- Place the screws on one side without tightening all the way.
- 2- Stretch the windscreen to the other side (see Fig. 1). The flexibility of the material allows this stretch with no risk of breaking or cracking.
- 3- Place the screws without tightening all the way.
- 4- Tighten progressively all the screws.

