

Ref.: 7004

MOUNTING INSTRUCTIONS

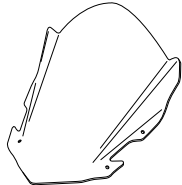





SCREEN FOR KTM RC 125/200/390

WITHOUT ORIGINAL SCREEN



WITH ORIGINAL SCREEN

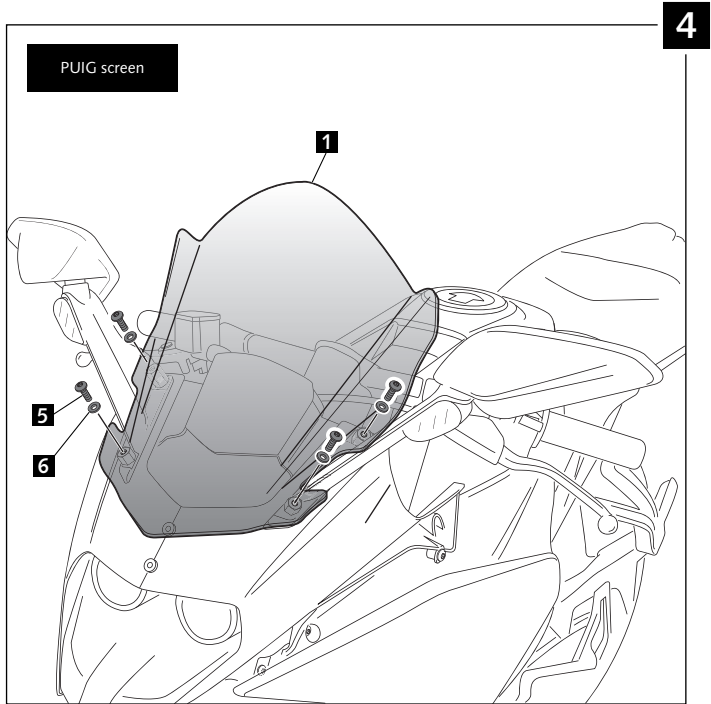
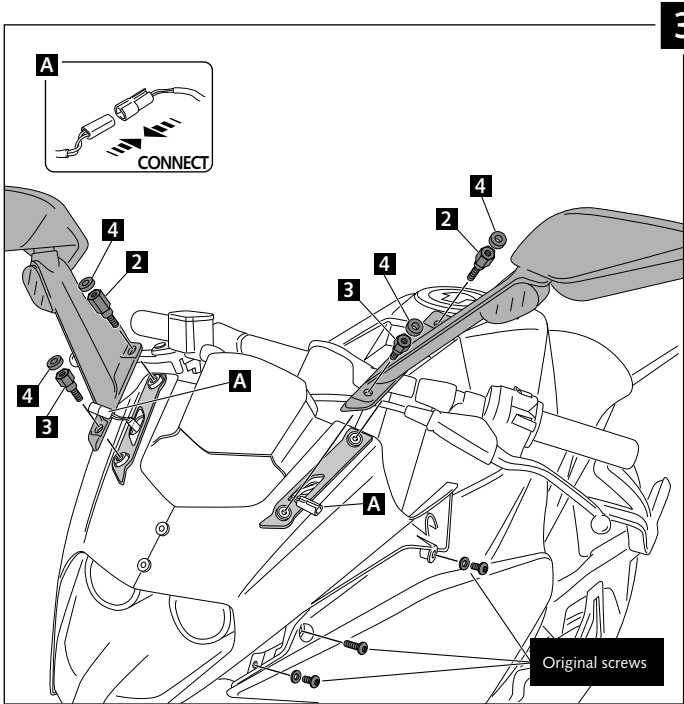
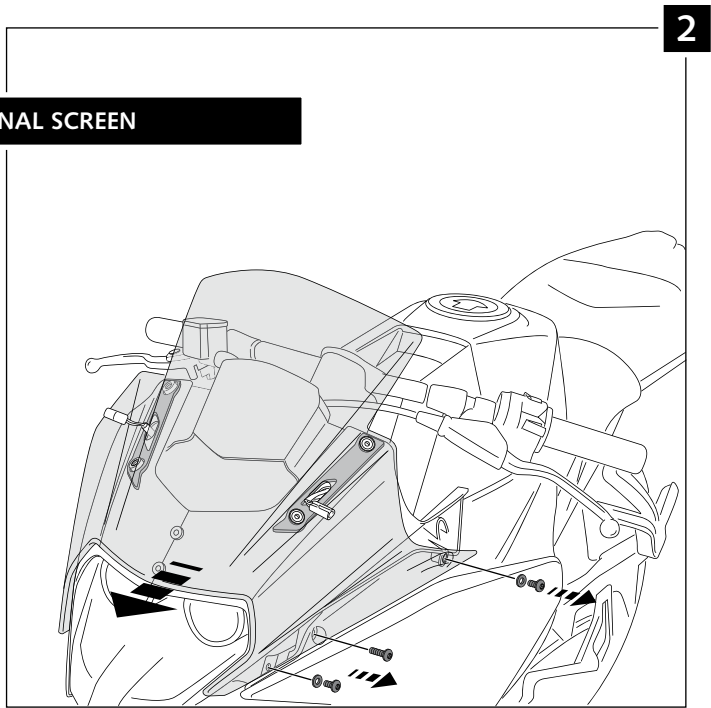
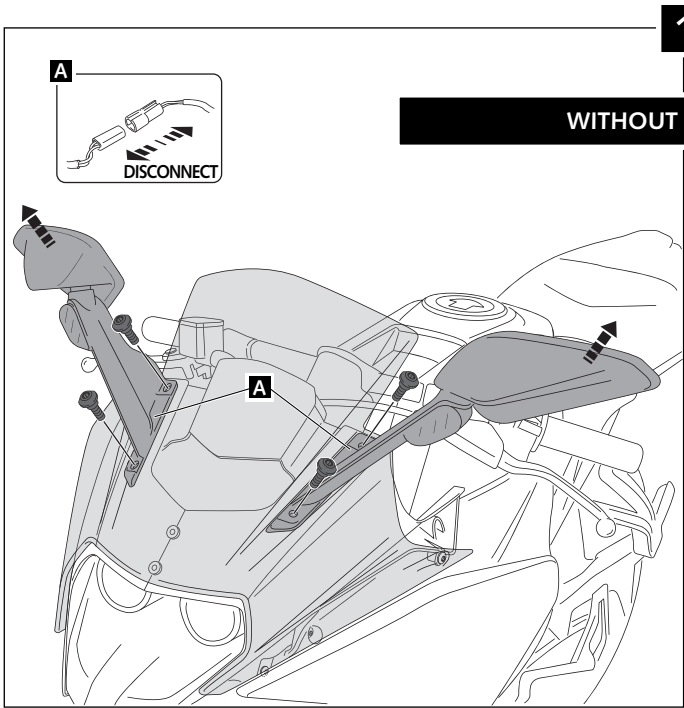


ID.	PART	DESCRIPTION	QTY.
1		Screen	1
2		Special Screw M6x13 with hexagonal 18mm and interior thread M5x11	2
3		Special Screw M6x13 with hexagonal 14mm and interior thread M5x11	2
4		Ø outer 15 x Ø inner 5x4 rubber washer	4
5		M5x16 ISO 7380 (black) Allen screw	4
6		M5x0,5 nylon washer	4

Ref.: 7004

MOUNTING INSTRUCTIONS

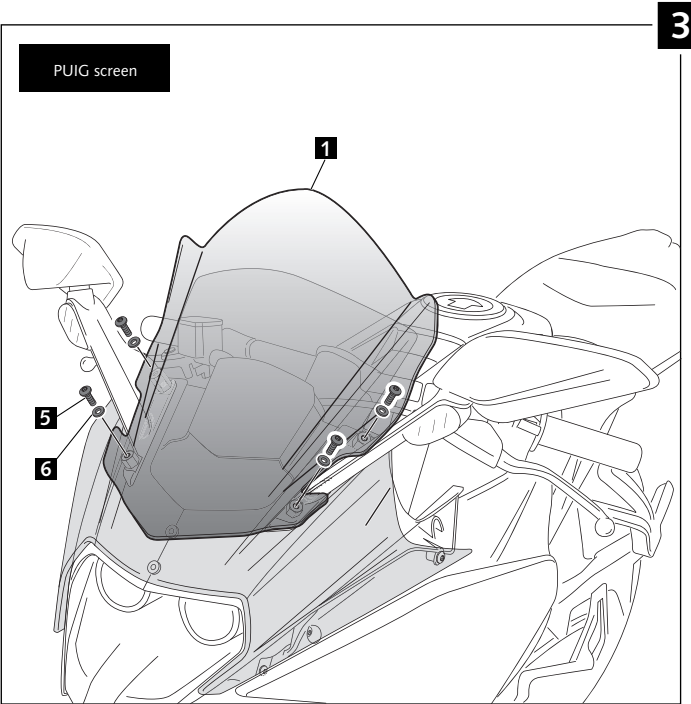
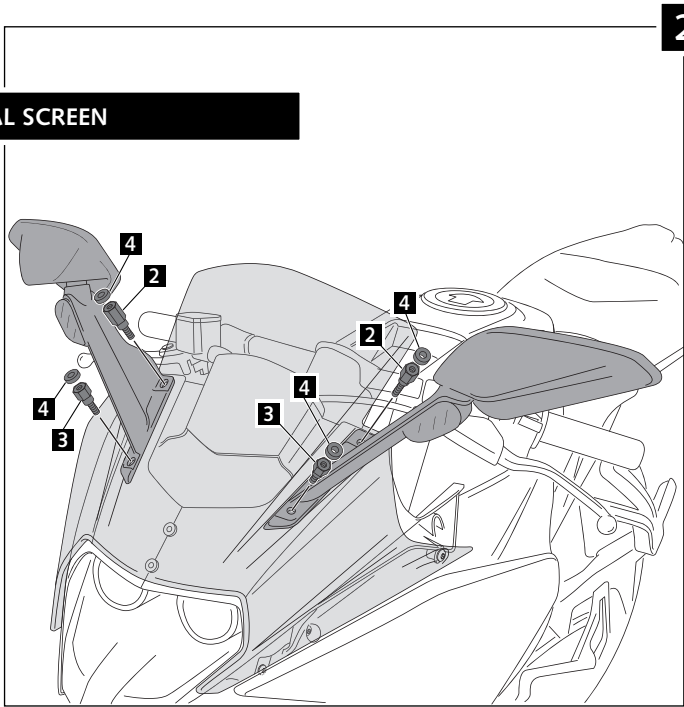
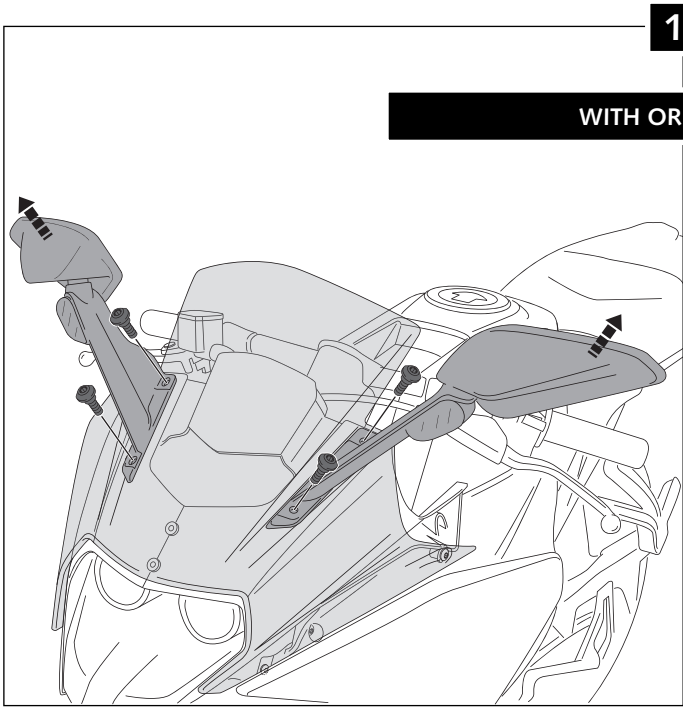
SCREEN FOR KTM RC 125/200/390



Ref.: 7004

MOUNTING INSTRUCTIONS

SCREEN FOR KTM RC 125/200/390



TIPS FOR A CORRECT WINDSCREEN ASSEMBLY

Due to storage and transport processes of the windscreens, which are subjected to positions and temperature changes out of our control, this may produce small deformations on the material causing some difficulties on the mounting process. It is recommended to:

- 1- Place the screws on one side without tighten all the way.
- 2- Stretch the windscreen to the other side (see Fig. 1). The flexibility of the material allows this stretch with no risk of breaking or cracking.
- 3- Place the screws without tightening all the way.
- 4- Tighten progressively all the screws.

