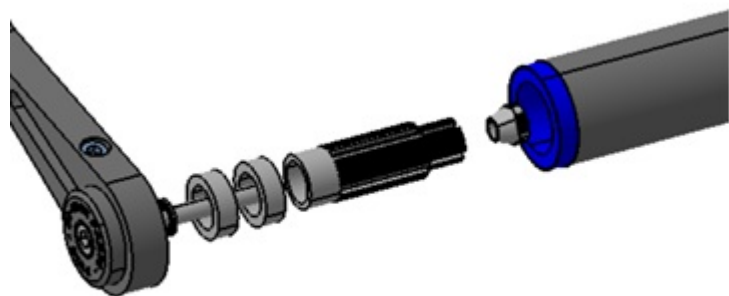
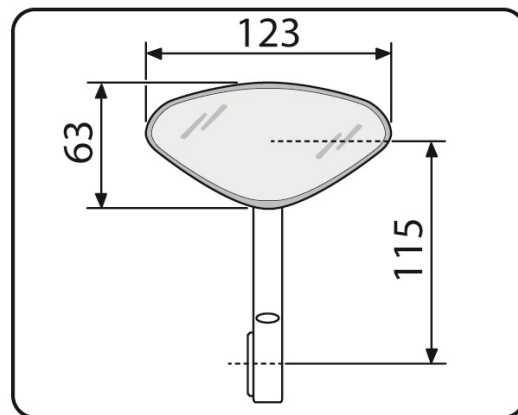


TECHNICAL FEATURES

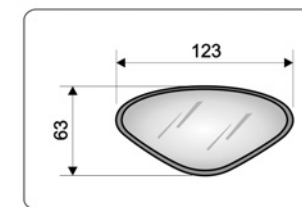


ADAPTABLE

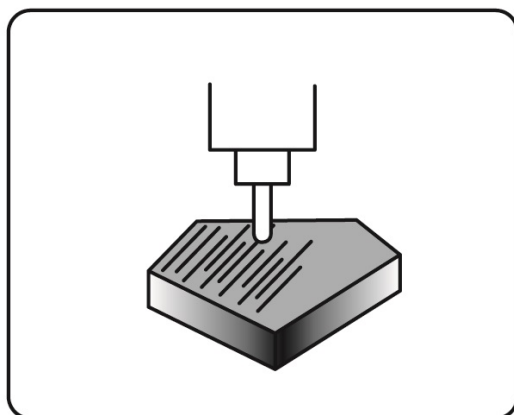
Availability of specific adapters per motorcycle model.



DIMENSIONS



NOT APPROVED



MATERIAL

Machined from an aluminum block and posterior anodized