

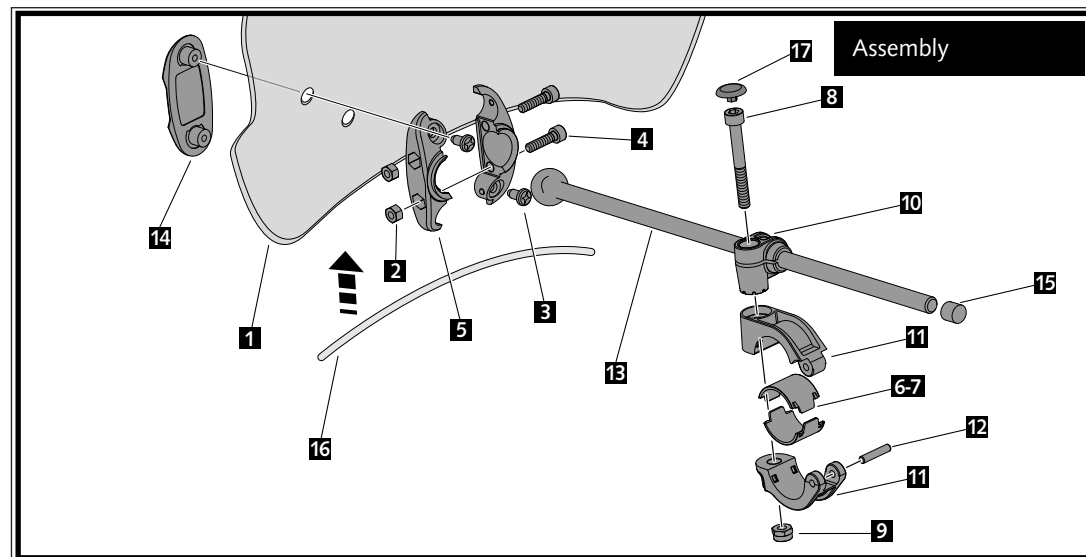
WINDSHIELD MODEL

TREND UNIVERSAL

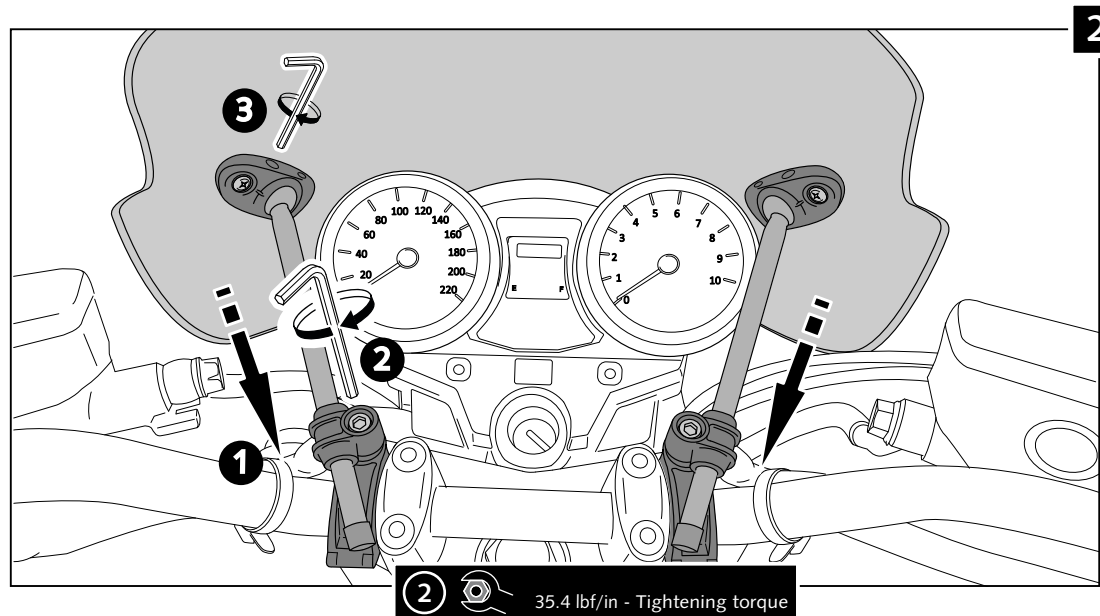
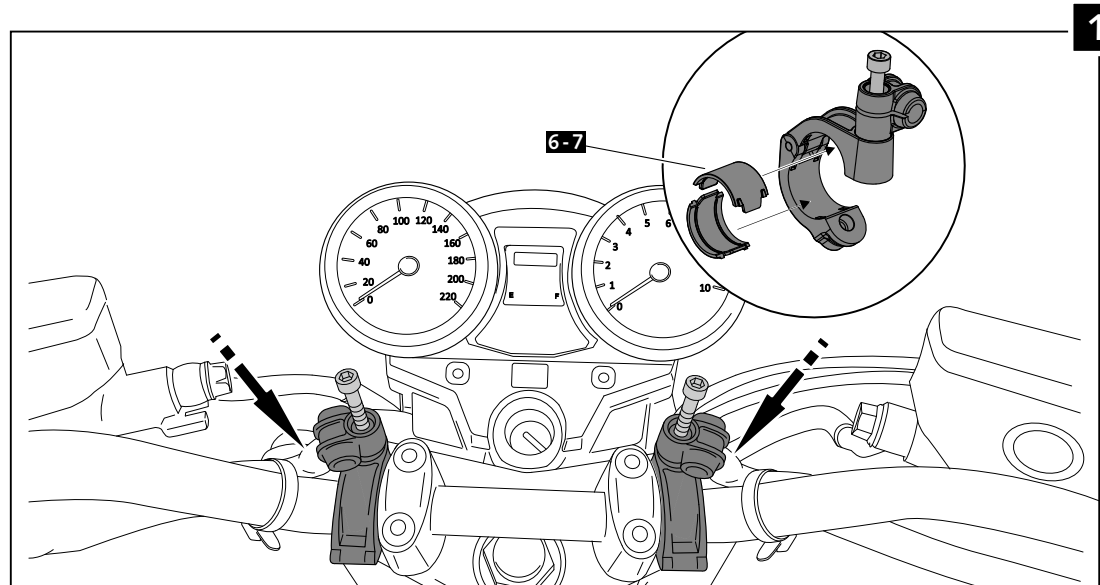
Ref.: 5022

(black colour)
(smoke colour)
(dark smoke colour)
(blue colour)

ID.	DESCRIPTION	REF.	QTY.
1	Windshield	I0263H	1
2	M5 DIN982 Inox nut	TUERCA-D982-746	4
3	M5x13 phillips screw	TORNIP510---233	4
4	M5x20 DIN912 Inox screw	TORNI-AD912-464	4
5	Semi-clamp ball-joint nut	BRIROTO1-I-PR16	2
5	Semi-clamp ball-joint screw	BRIROTO2-I-PR16	2
6	Medium-spacer Ø22mm	CAS29-22-0-PR16	4
7	Medium-spacer Ø26mm	CAS29-26-0-PR16	4
8	M8x55 DIN912 Inox screw	TORNI-D912--631	2
9	M8 DIN985 locknut	TUEA-D985.8-M8-	2
10	Rod guide	FIXVARLL-0-PR16	2
11	Front clamp handlebar	BRIDAANT-0-PR16	2
11	Rear clamp handlebar	BRIDAPOS-0-PR16	2
12	Rod Dim. 4x20mm Inox	VARILI4X20--576	2
13	Ball bearing set	CJROTULA-0-P200	2
13	Rod with ball bearing Dim. 9x200mm	VARILF9X200-591	2
14	Support set	CONJU-S3PCC-003	2
15	Rubber outer stop	TOPEE-VPGT--8/4	2
16	Trim	RIBETEHP--900H	1
17	M8 DIN912 screw cap	TAPA--CHCI1450E	2



It would be convenient to re-tight the windshield screws, specially the ones that are fixed to the motorcycle, whenever you maintain the vehicle.
Thanks for your attention.



IMPORTANT: On some motorcycle models it may be necessary to cut the rods to avoid them touch the gas tank when turning the handlebar.

MOUNTING INSTRUCTIONS

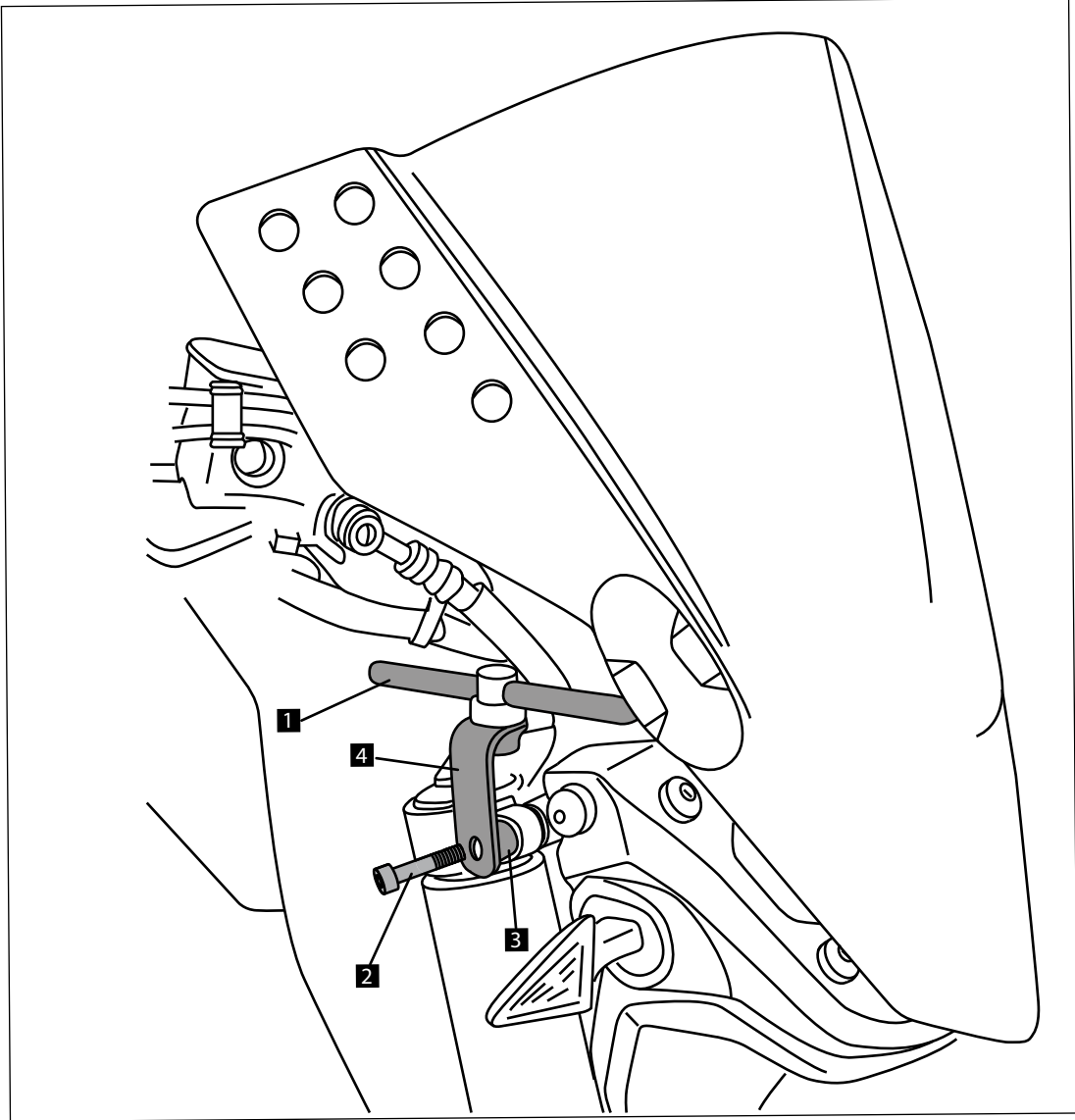
KIT RAFALE / STREAM /TOURING II

Ref.: 10449



It would be convenient to re-tight the windshield screws, specially the ones that are fixed to the motorcycle, whenever you maintain the vehicle.
Thanks for your attention.

ID.	DESCRIPTION	QTY.
1	Varill 115mm	2
2	M8x50 DIN912 screw	2
3	Metal arrowhead Ø14x12	2
4	Metalic support	2



VISERA MULTIREGULABLE MULTI-ADJUSTABLE VISOR



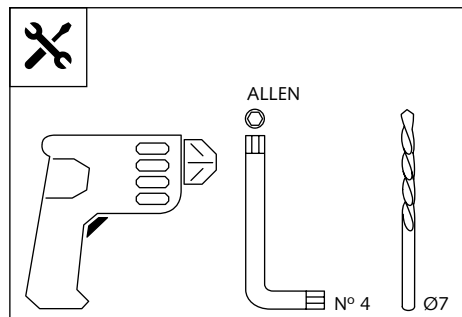
Ref.: 6007

Ref.: 5852

Ref.: 5853

Smoke

Clear



1 person



15 min

Easy

Intermediate

Difficult

Note:

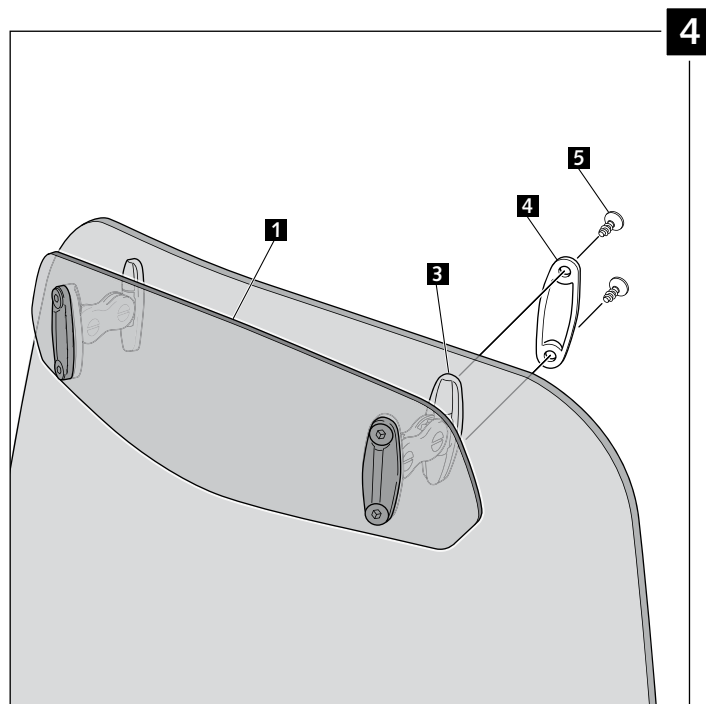
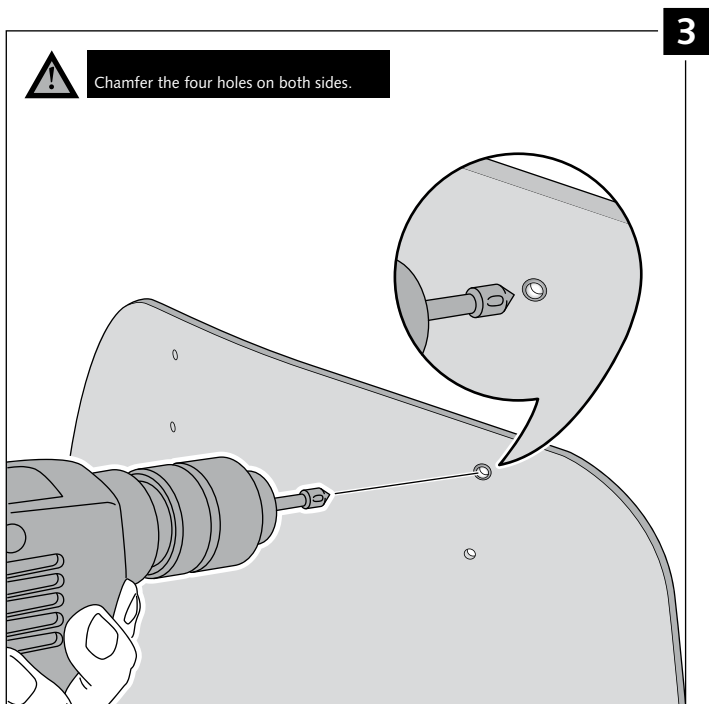
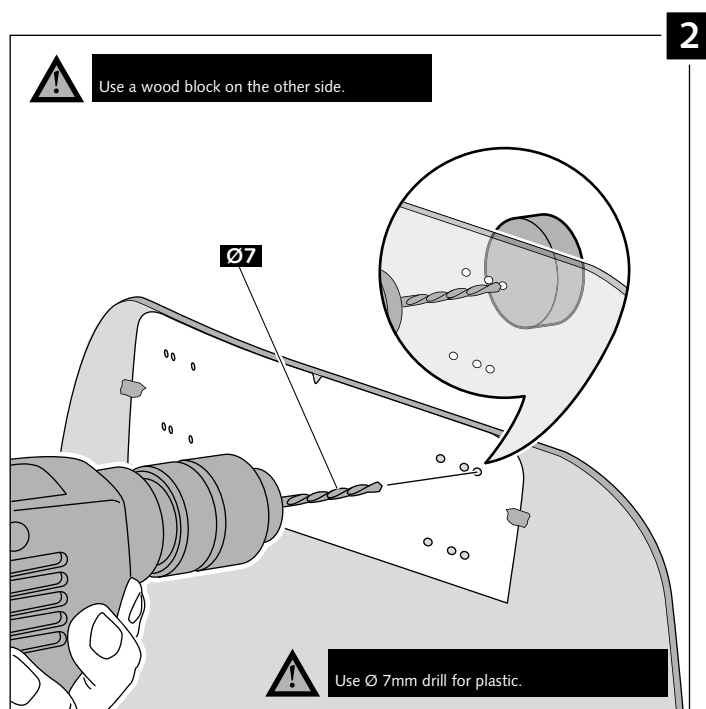
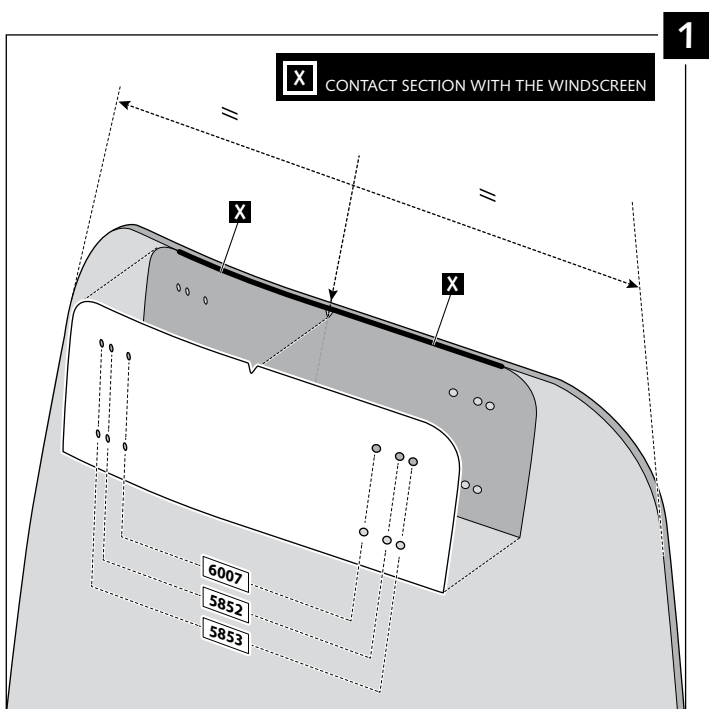
If the visor is supplied along with the windscreen, the windscreen will come factory-drilled so no drilling is necessary.

ID.	PART	DESCRIPTION	QTY.
1		Visor	1
2		Template	1
3		Multi-adjustable mechanism	2
4		Cap	4
5		Plastic thread fastener M6x12	8

MULTI-ADJUSTABLE VISOR

MOUNTING INSTRUCTIONS

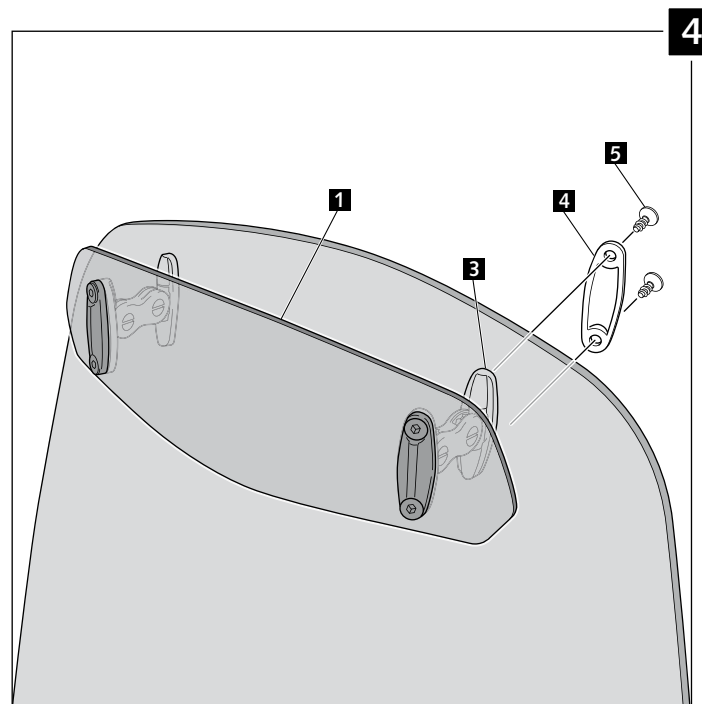
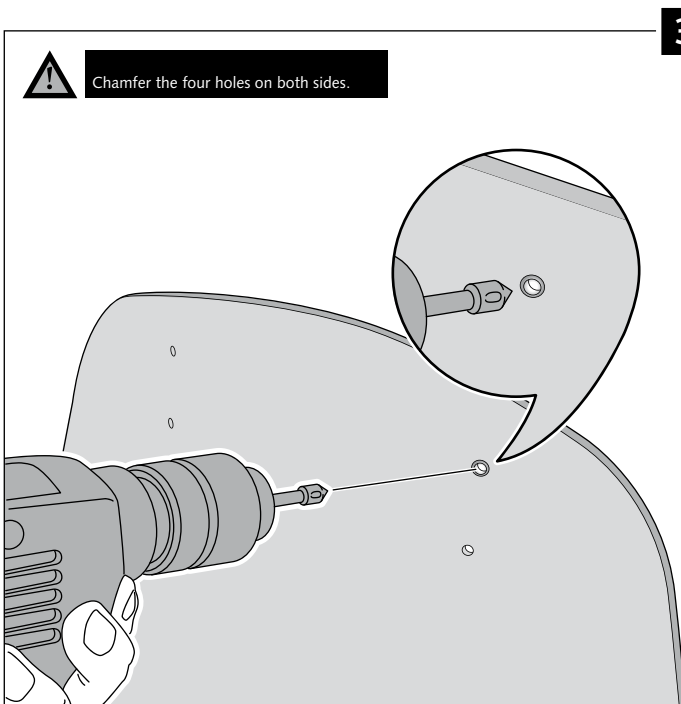
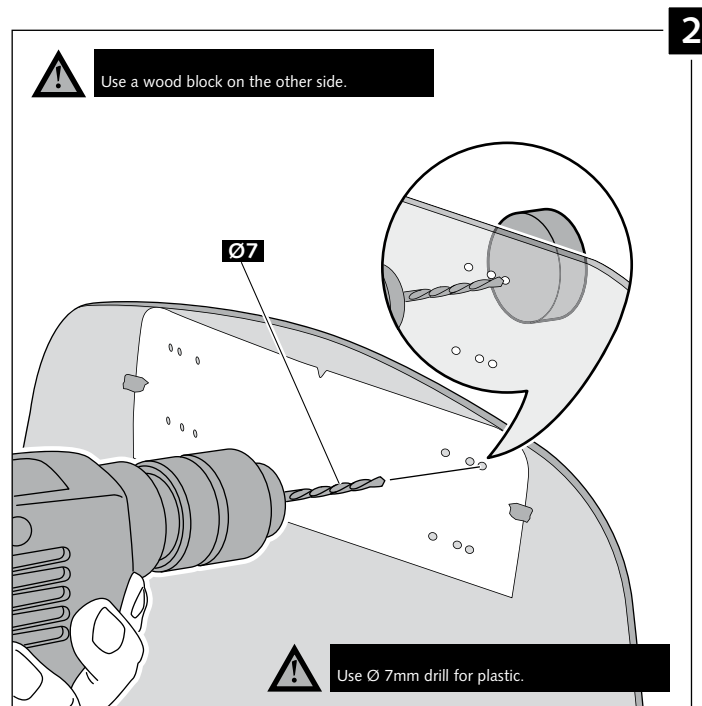
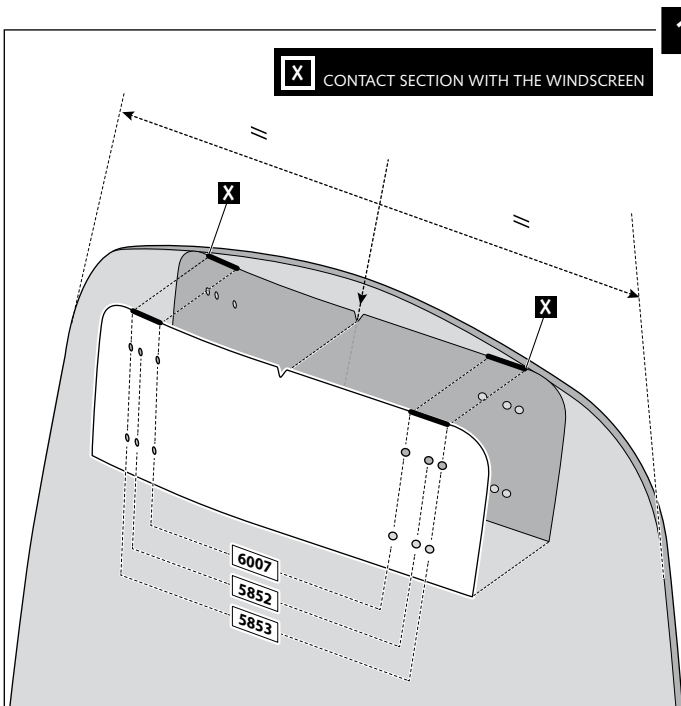
TYPE A



MULTI-ADJUSTABLE VISOR

- MOUNTING INSTRUCTIONS -

TYPE B



MULTI-ADJUSTABLE VISOR

TYPE C

