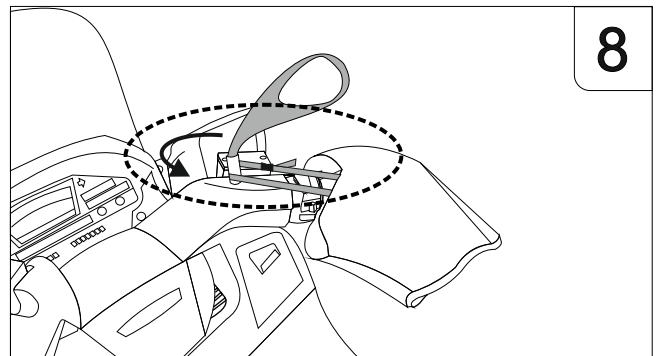
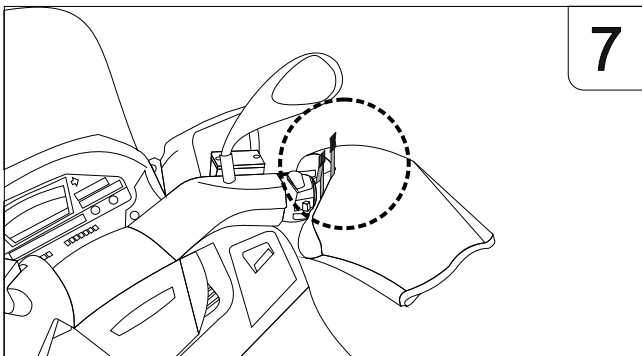
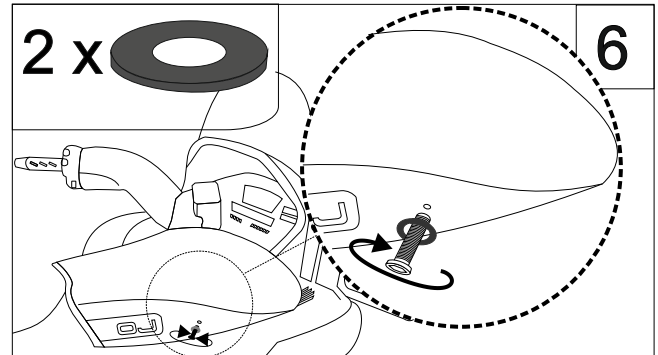
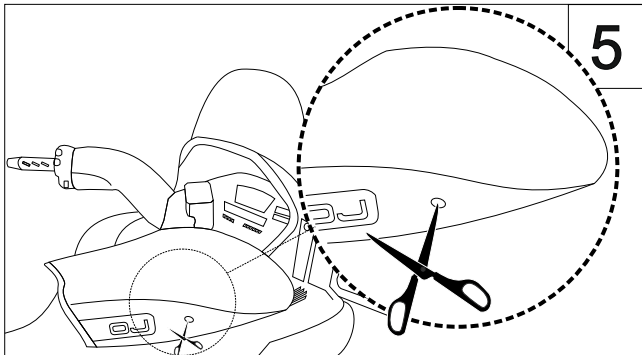
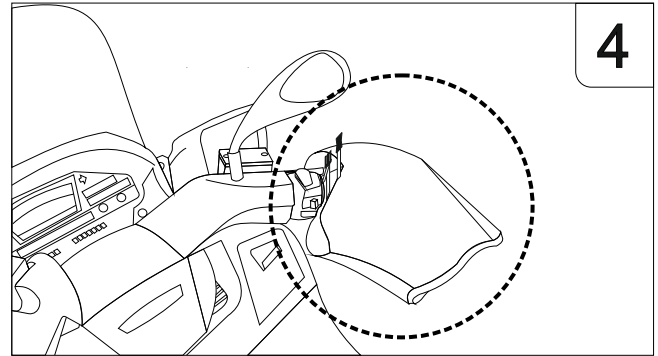
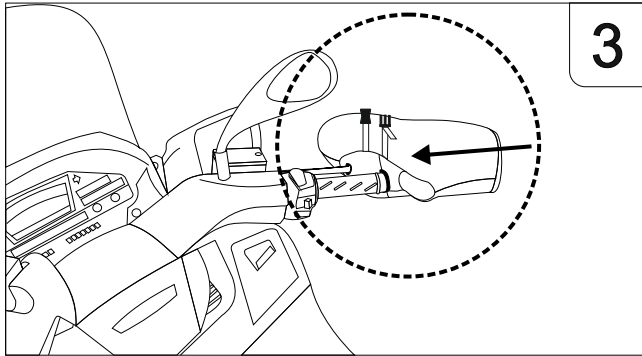
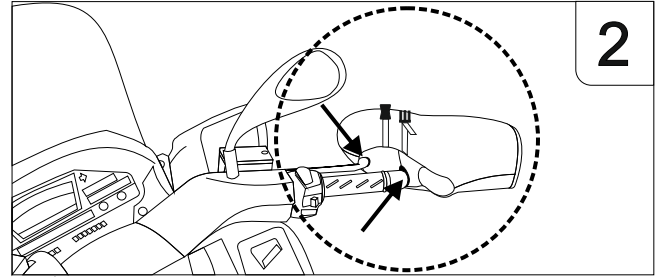
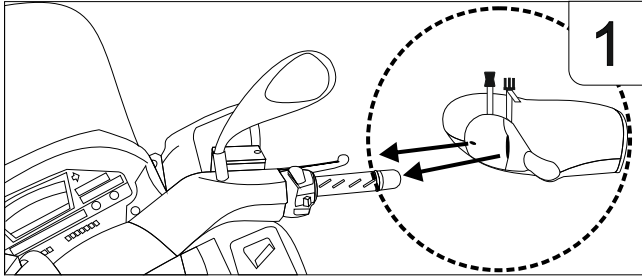
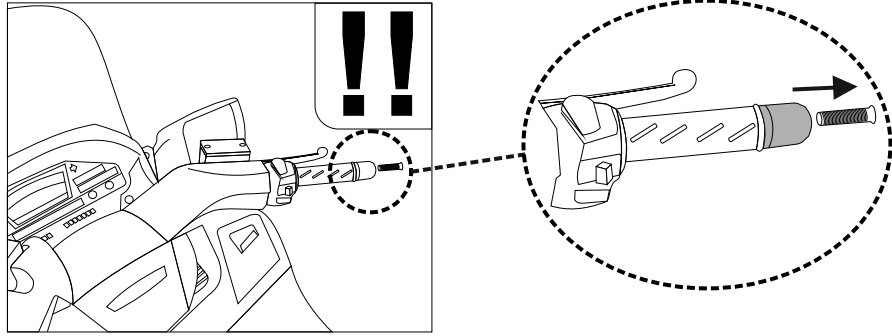


# MINI PRO HAND - C010

Cover hands: Assembly instructions

**YES**

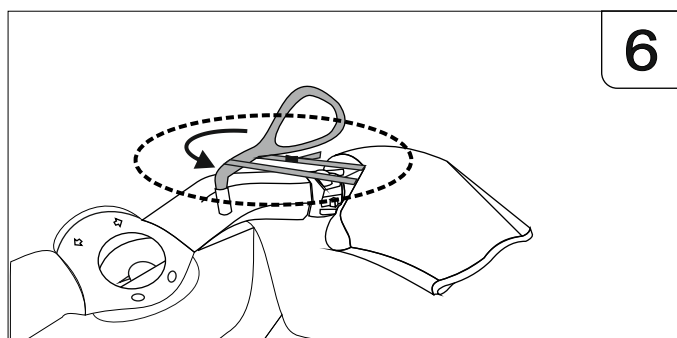
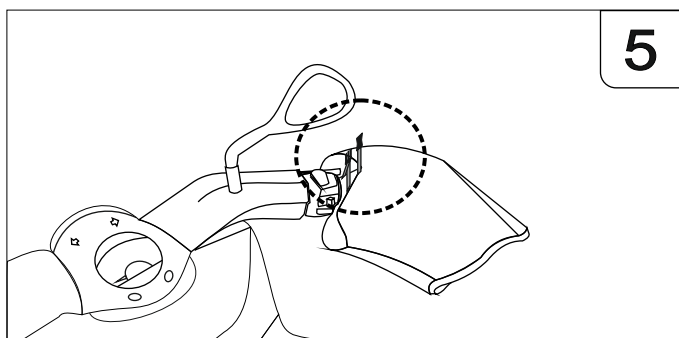
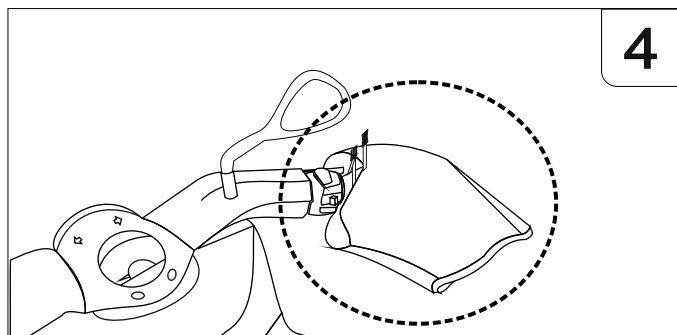
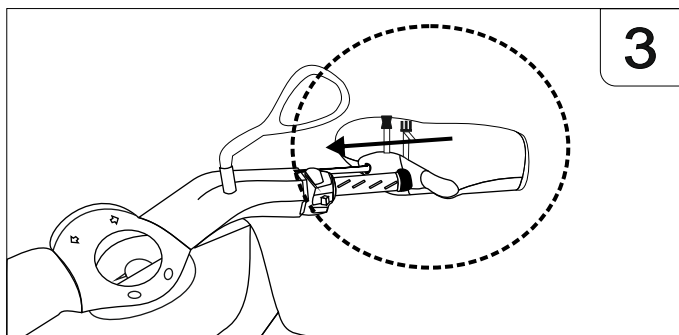
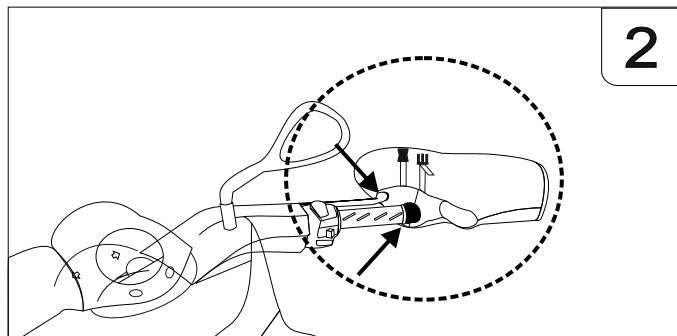
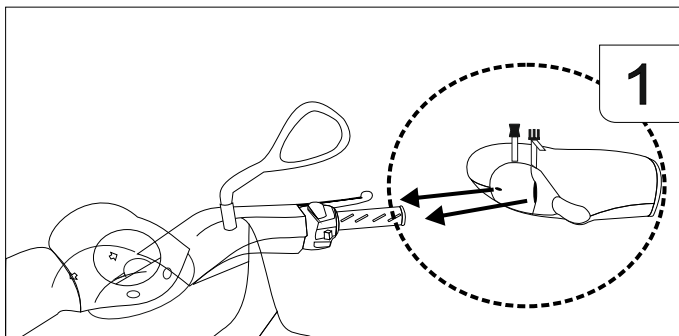
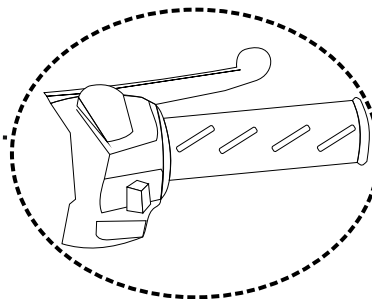
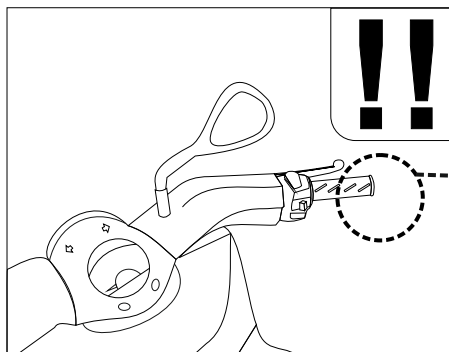
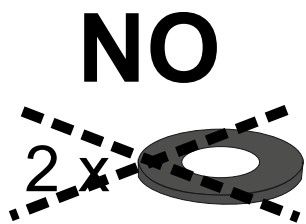
2 x 



Evaluate carefully before piercing, which in the chosen position, the cover hand are not a problem to the use of levers, handles and instrumentation

# MINI PRO HAND - C010

## Cover hands: Assembly instructions



Warnings:  
Once assembled it, adjust the tension of all the straps to fit it on the scooter firmly to avoid air and water inside. Once finished, the exceeding part of the straps can be tied on themselves or cut and finished with a lighter. Recommendations: Check often the situation of the straps and hooks / Maintenance: Wash it with neutral soap and water. Don't use gasoline to wash it. Please follow correctly the assembly instructions. OJ Atmosfere Metropolitanae srl denies responsibility for any damage caused by the improper installation or misuse of the products.

