

It would be convenient to re-tighten the license support screws, specially the ones that are fixed to the motorcycle, whenever you maintain the vehicle.

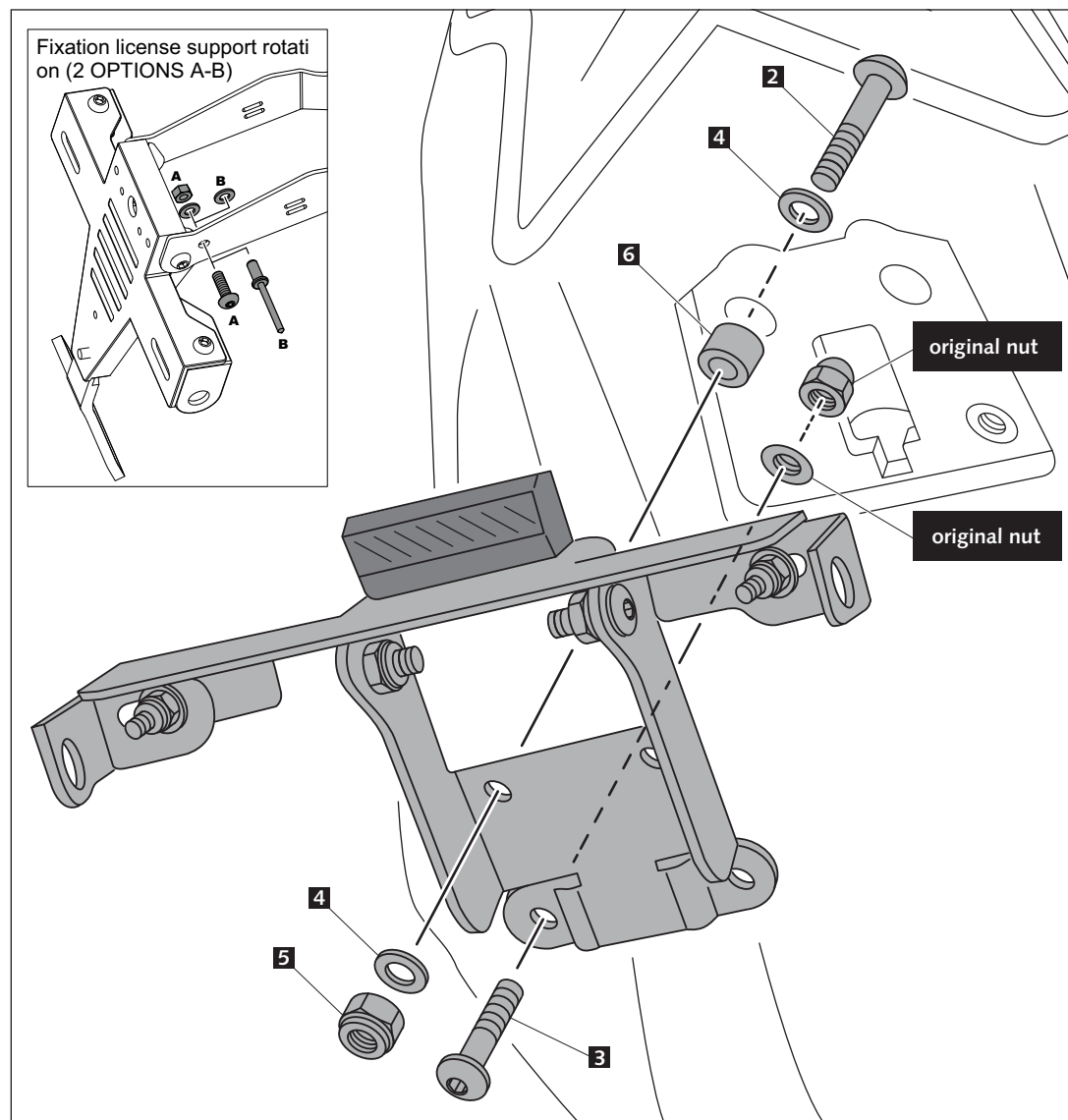
Thanks for your attention.

ID.	DESCRIPTION	QTY.
1	License support	1
2	Screw M6x40 DIN933	2
3	Screw M6x20 DIN1001	2
4	Washer M6	4
5	Nut M6	2
6	Metal arrowhead	2
7	Plastic ziptides	4
8	License support light	1
9	Reflector	1
10	Support for reflector	1

MOUNTING INSTRUCTIONS

LICENSE SUPPORT ADAPTABLE TO KAWASAKI Z800 '13

Ref.: 6548N



Learn more about motorcycle license plate accessories we have.