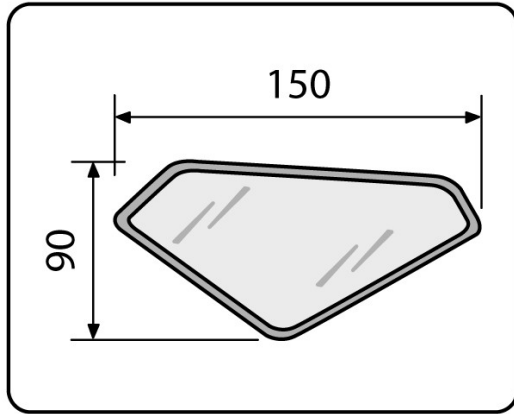
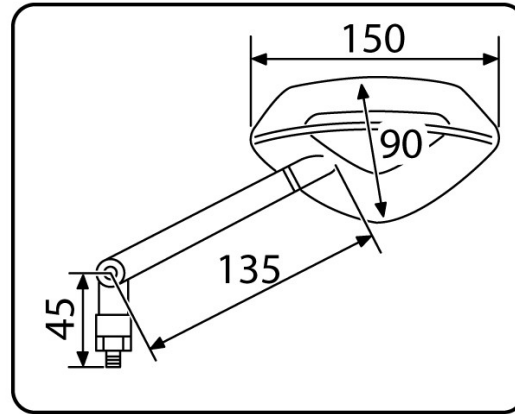


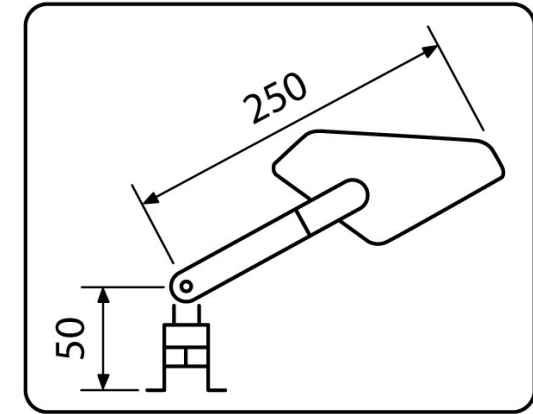
TECHNICAL FEATURES



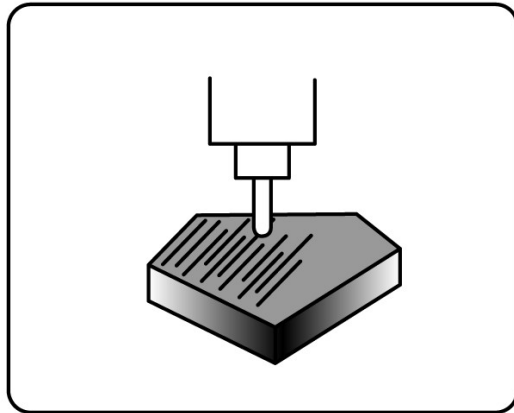
APPROVED:
150x90mm



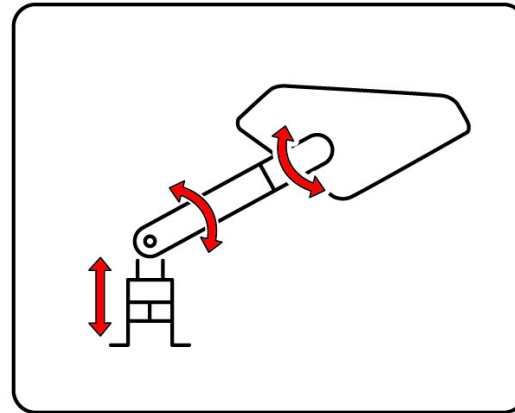
ADAPTABLE:
A rod and adapters available for original fairing



ADJUSTABLE:
Mirror inclination and height



MATERIAL:
Machined from an aluminum block and posterior
anodized



Adjustable