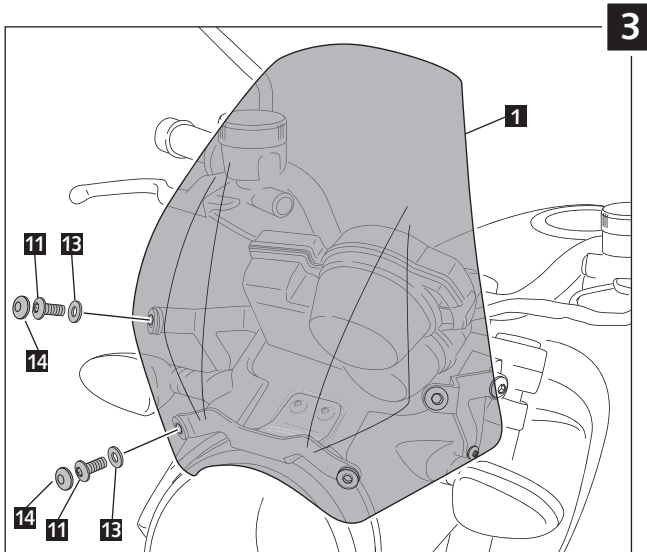
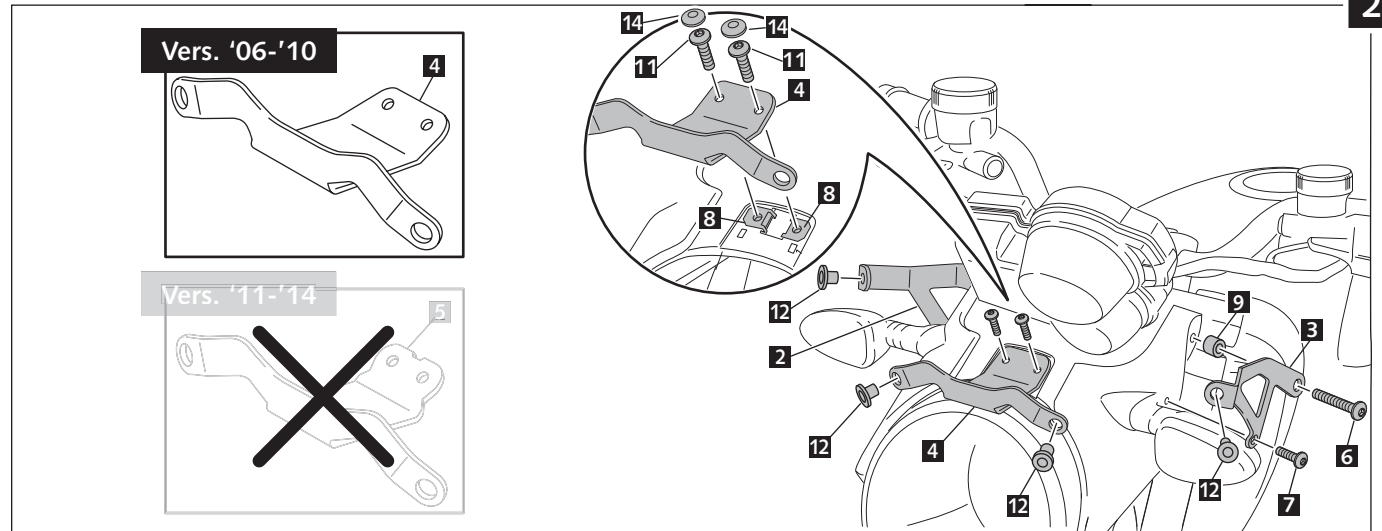
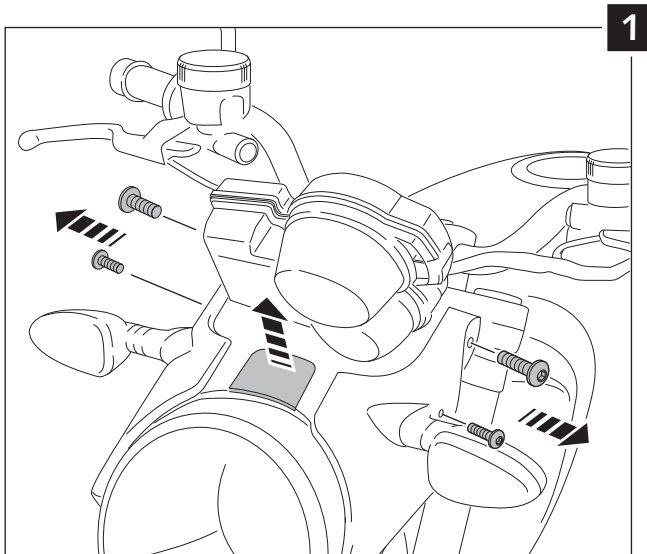


WINDSHIELD ADAPTABLE TO

BMW R1200R

2006-2010

Ref.: 6488



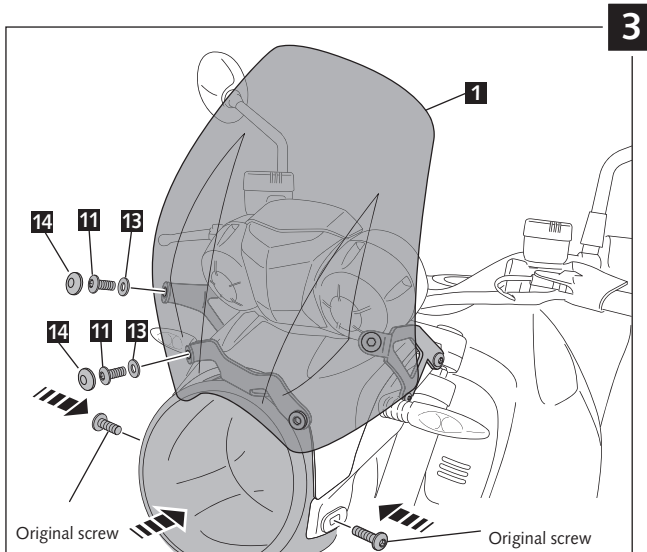
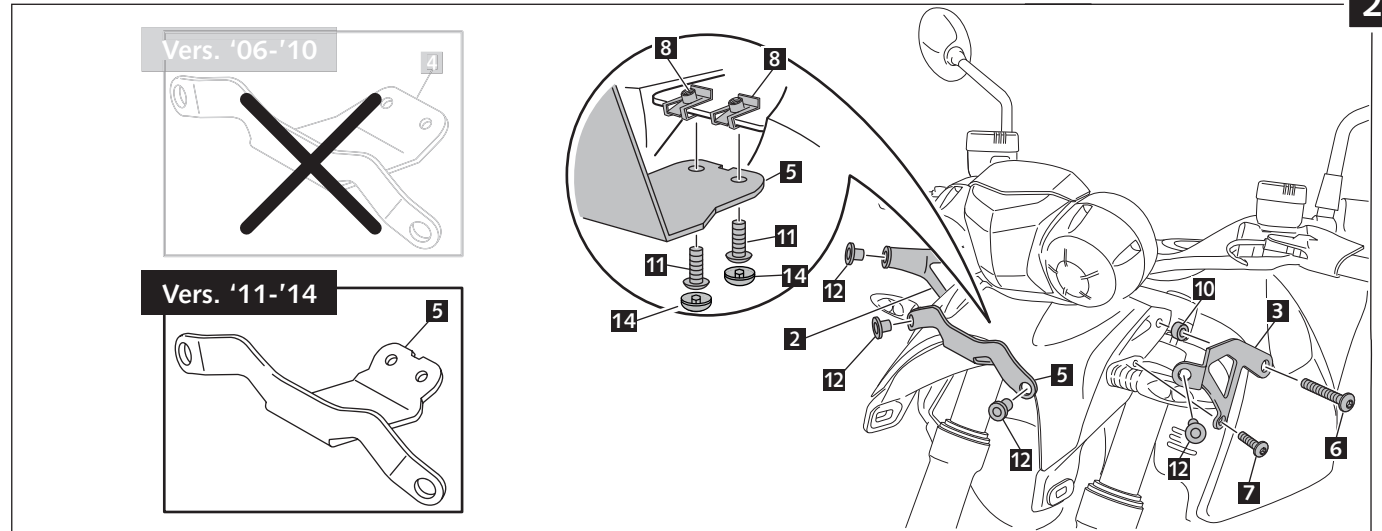
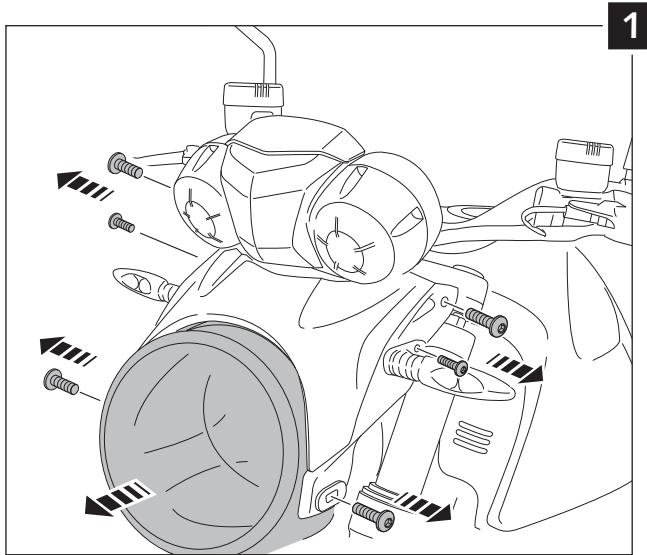
ID.		DESCRIPTION	QTY.
1		Windshield	1
2		Right metal support	1
3		Left metal support	1
4		Central metal support (2006-2010)	1
5		Central metal support (2011-2014)	1
6		M8x50 Allen screw ISO 7380	2
7		M6x16 Allen screw ISO 7380	2
8		M5 Clip nut	2
9		Ø inner 8,5 x Ø outer 14x10 arrowhead (2006-2010)	2
10		Ø inner 8,5 x Ø outer 14x4 arrowhead (2011-2014)	2
11		M5x16 ISO 7380 Allen screw	6
12		M5 Silemblock	4
13		M5x1 nylon washer	4
14		M5 ISO 7380 Screw cap	6

WINDSHIELD ADAPTABLE TO

BMW R1200R

2011-2014

Ref.: 6488



ID.		DESCRIPTION	QTY.
1		Windshield	1
2		Right metal support	1
3		Left metal support	1
4		Central metal support (2006-2010)	1
5		Central metal support (2011-2014)	1
6		M8x50 Allen screw ISO 7380	2
7		M6x16 Allen screw ISO 7380	2
8		M5 Clip nut	2
9		Ø inner 8,5 x Ø outer 14x10 arrowhead (2006-2010)	2
10		Ø inner 8,5 x Ø outer 14x4 arrowhead (2011-2014)	2
11		M5x16 ISO 7380 Allen screw	6
12		M5 Silemblock	4
13		M5x1 nylon washer	4
14		M5 ISO 7380 Screw cap	6

TIPS FOR A CORRECT WINDSCREEN ASSEMBLY

Due to storage and transport processes of the windscreens, which are subjected to positions and temperature changes out of our control, this may produce small deformations on the material causing some difficulties on the mounting process. It is recommended to:

- 1- Place the screws on one side without tighten all the way.
- 2- Stretch the windscreen to the other side (see Fig. 1). The flexibility of the material allows this stretch with no risk of breaking or cracking.
- 3- Place the screws without tightening all the way.
- 4- Tighten progressively all the screws.

