

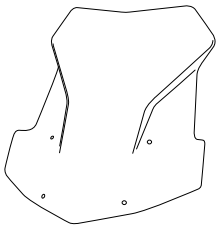
Ref.: 6486

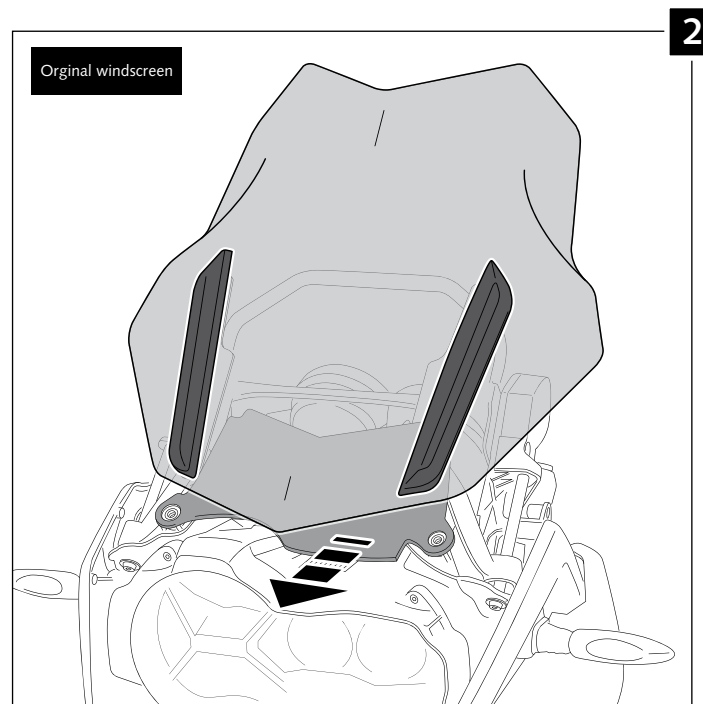
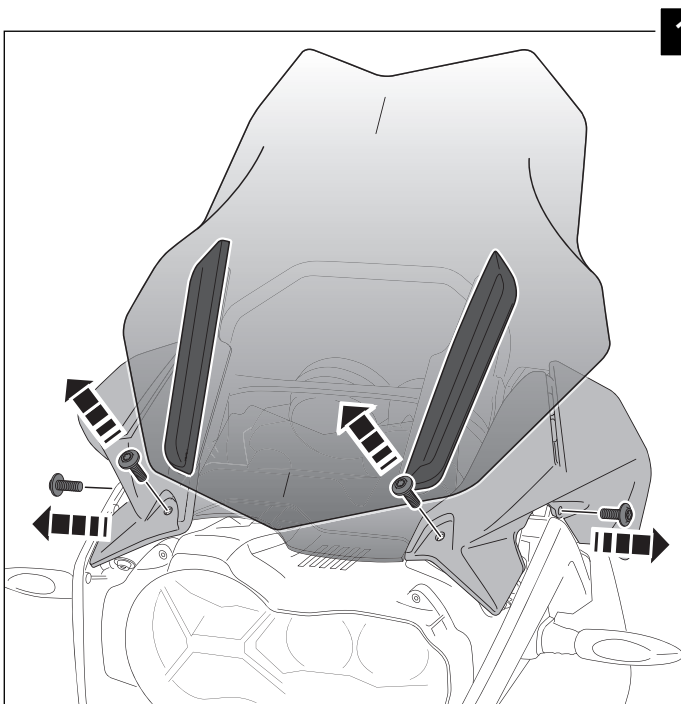
MOUNTING INSTRUCTIONS

WINDSCREEN FOR BMW R1200GS LC '13- R1200GS LC ADVENTURE '14-

140

NOTE: We recommend not to exceed 140Km/h with the Puig Touring Windscreen.
For higher speeds Puig recommends installing the screen reinforcement kit ref.: 7566N.

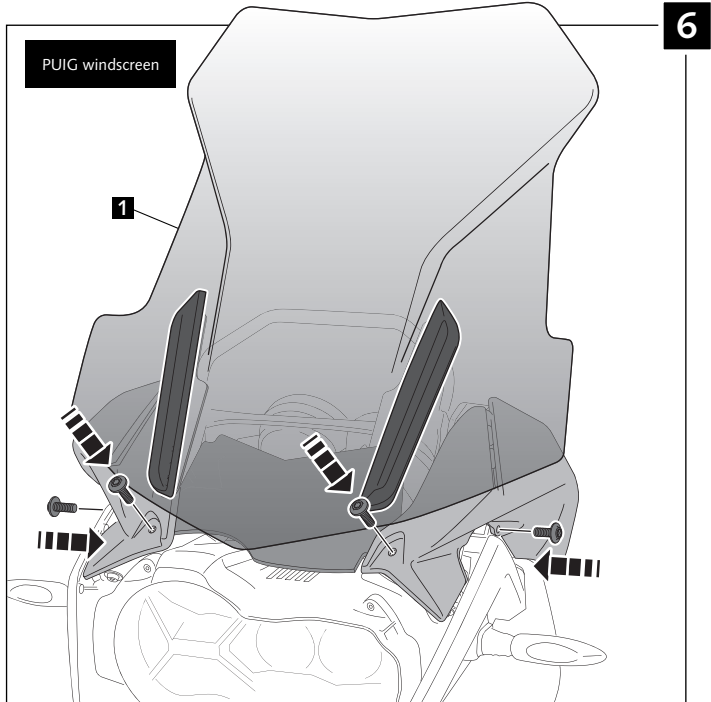
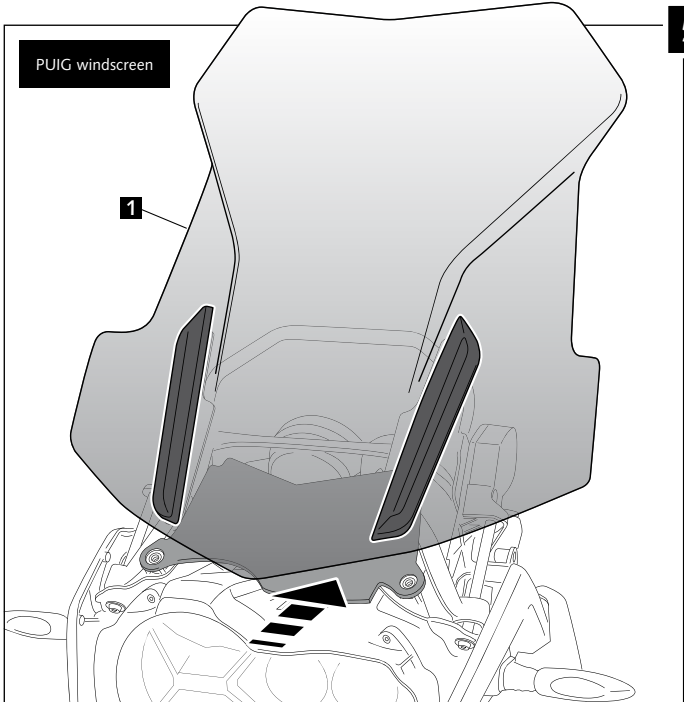
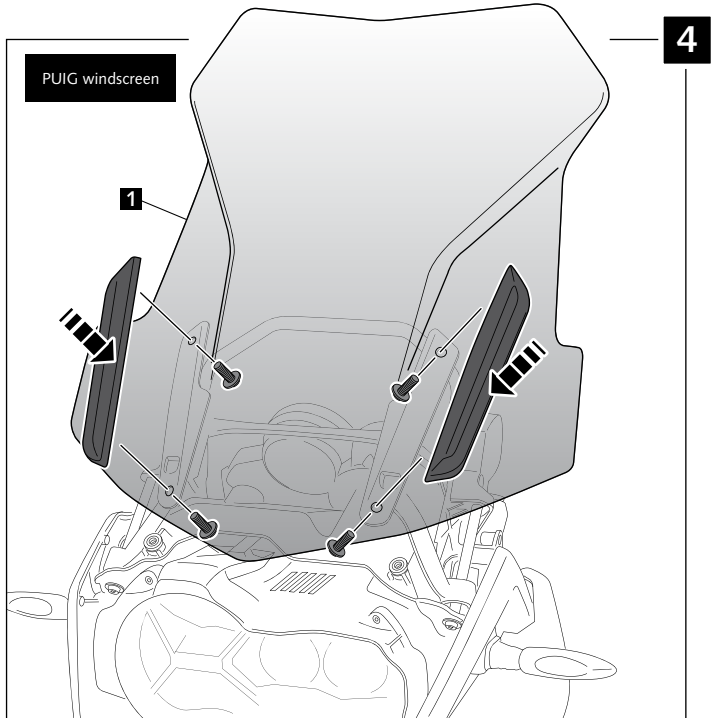
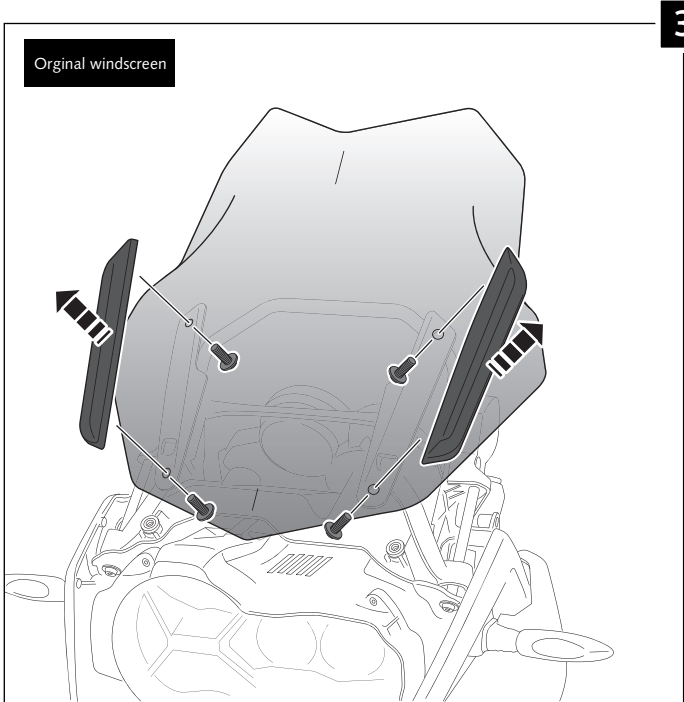
ID.	PART	DESCRIPTION	QTY.
1		Windscreen	1



Ref.: 6486

MOUNTING INSTRUCTIONS

WINDSCREEN FOR BMW R1200GS LC '13- R1200GS LC ADVENTURE '14-



TIPS FOR A CORRECT WINDSCREEN ASSEMBLY

Due to storage and transport processes of the windscreens, which are subjected to positions and temperature changes out of our control, this may produce small deformations on the material causing some difficulties on the mounting process. It is recommended to:

- 1- Place the screws on one side without tightening all the way.
- 2- Stretch the windscreen to the other side (see Fig. 1). The flexibility of the material allows this stretch with no risk of breaking or cracking.
- 3- Place the screws without tightening all the way.
- 4- Tighten progressively all the screws.

