

REAR MUDGUARD ADAPTABLE TO -

BMW R1200GS LC '13-'17 / R1200GS LC ADV. '14-'17



Ref.: 6352 J
black colour



Ref.: 6352 C
carbon look



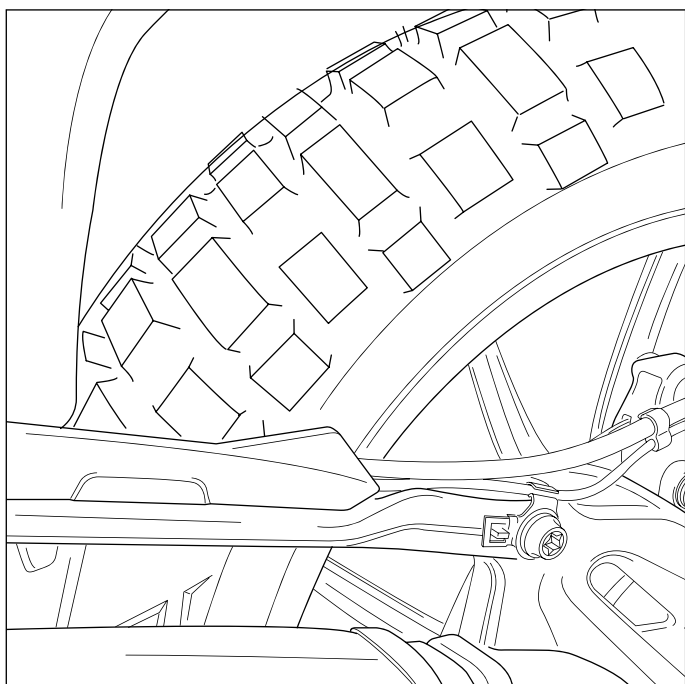
<p>1 person</p>	<p>30 min</p>	<input type="checkbox"/> Easy
		<input checked="" type="checkbox"/> Intermediate
		<input type="checkbox"/> Difficult

ID	PART	DESCRIPTION	QTY	REF.
1		Mudguard	1	6352C/JM3
2		Support aluminum	1	SOPORFUN-6352-6
3		Well nut	3	SILENBGONE--064
4		M5x11 ISO 7380 Allen screw	3	TORNI-AI----520
5		M5 bush with flange	3	CASQUI-----517
6		DIN 127 M5 Grower washer	3	ARAND-G5----506
7		M8x40 DIN 912 12.9 Allen screw	1	TORNI-D912--549
8		M10x75 DIN 912 12.9 Allen screw	1	TORNI-D912--669
9		Arrowhead Øinner 10,5 Øouter-(1)15xØouter-(2)21x19,5	1	CASQUI-M-----604
10		Arrowhead igus Ø inner 15 x Ø outer 17x15	1	COJIN-P-WSM-517
11		M5 ISO 7380 Allen screw cap	2	TAPON-----85

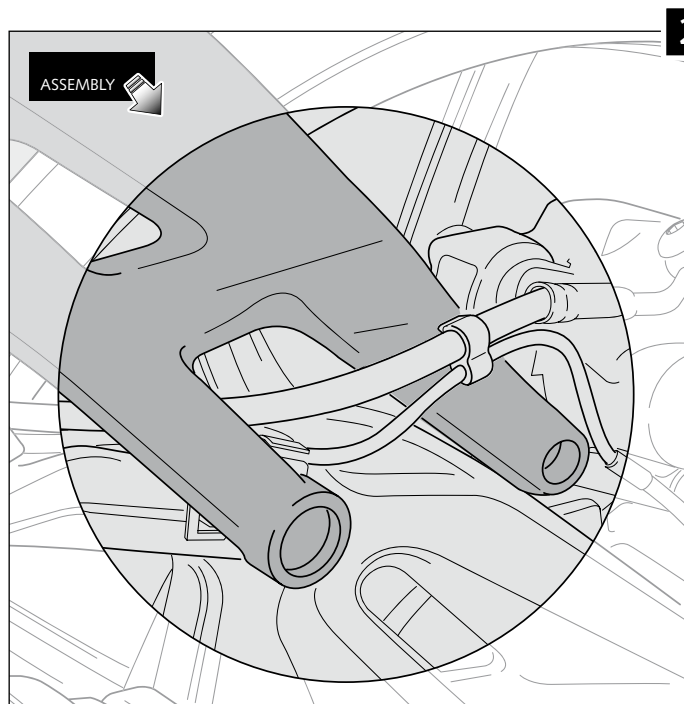
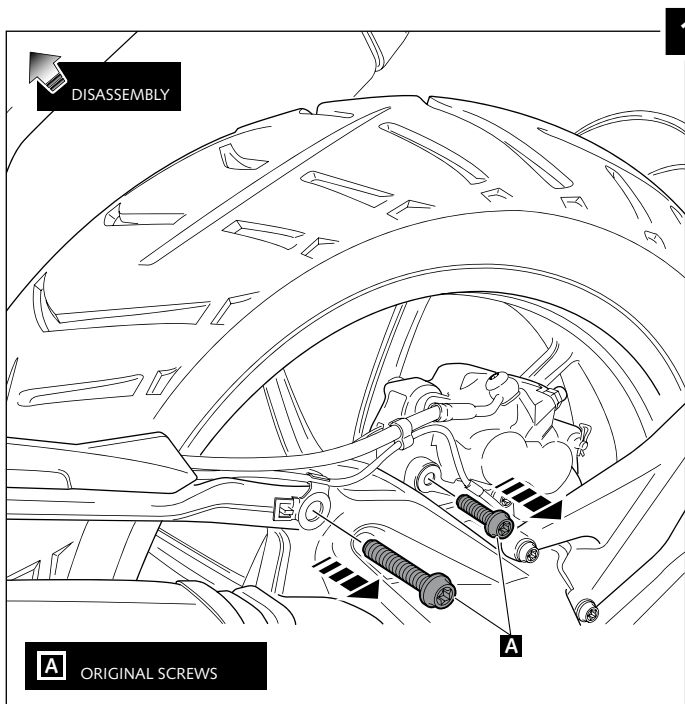
REAR MUDGUARD ADAPTABLE TO

BMW R1200GS LC '13-'17 / R1200GS LC ADV. '14-'17

AJE - MOUNTING INSTRUCTIONS - MON




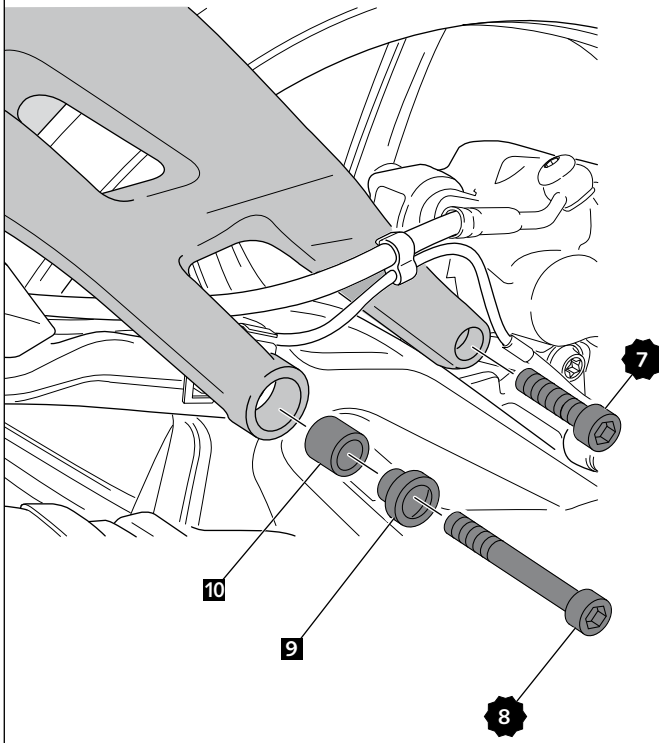
- FOR OFF-ROAD TIRES, PLEASE CHECK SUITABILITY AT






3

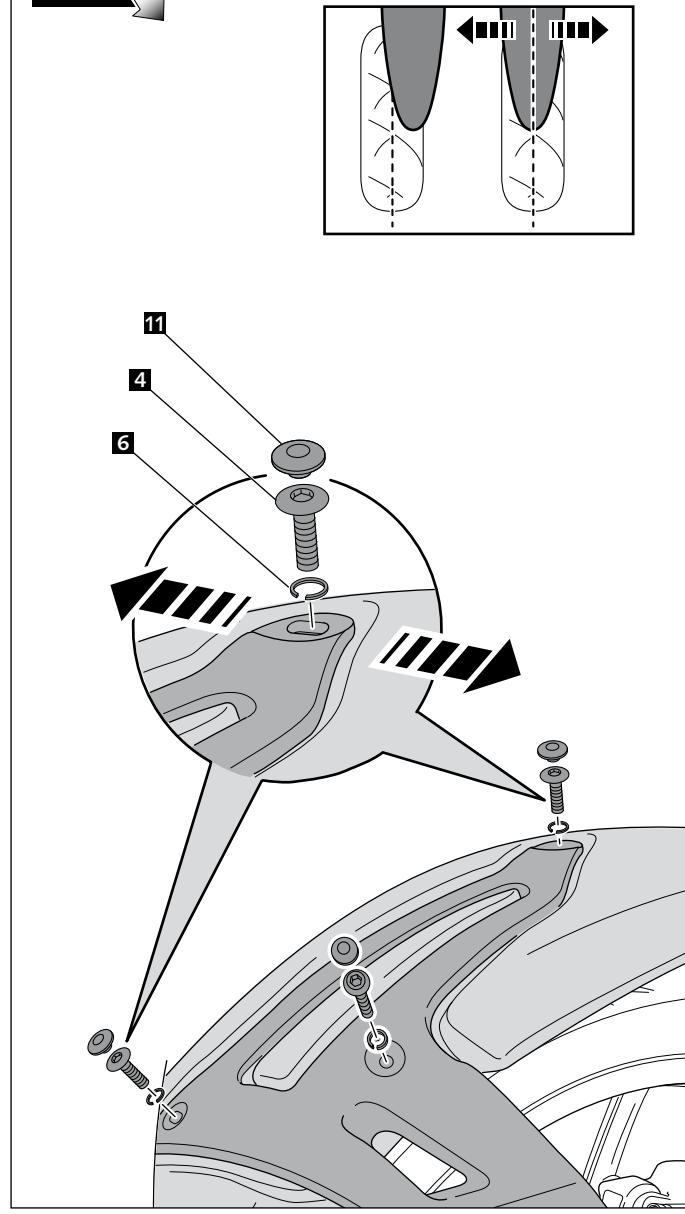

ASSEMBLY 



- Tightening torque for screws n° 7 (24Nm) and 8 (56 Nm).

4

ASSEMBLY 

IT IS RECOMMENDED TO CHECK TIGHTENING OF THE BOLTS EVERY 1000 Km.