

**LICENSE SUPPORT ADAPTABLE TO KAWASAKI ER6N 12' -
REF: 6096N**

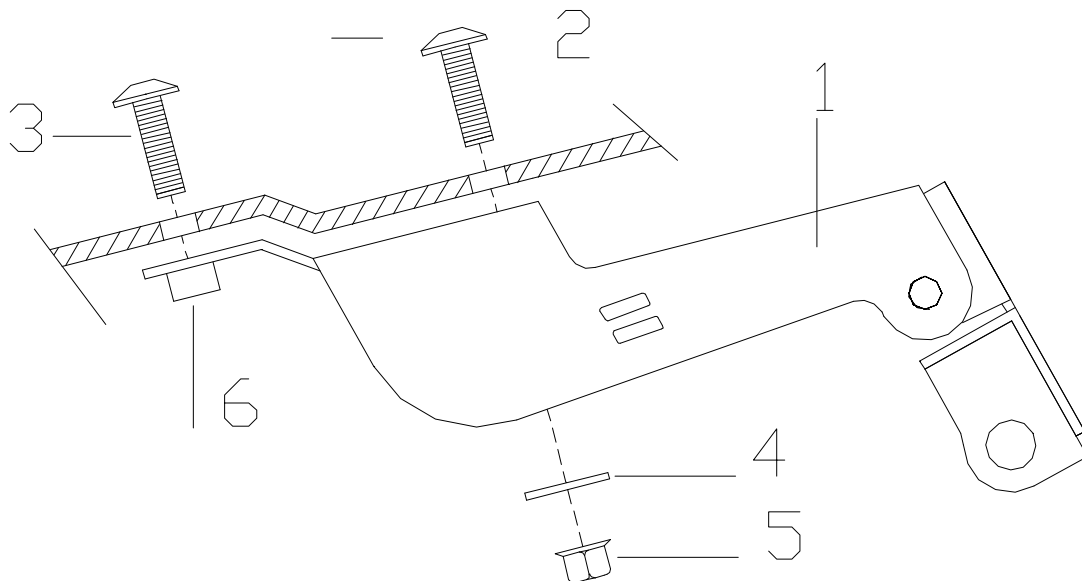


MOUNTING INSTRUCTIONS

- 1) Dismount the original support.
- 2) Mount the support supplied (1) with the M6 fasteners (2/3), the M6 nuts (5), and the M6 washers (4), as the figure below shows.
- 3) It is supplied 3 plastic ziptides to attach the blinkers bulks into the bracket.

Material supplied:

POSITION	DESCRIPTION	QUANTITY
1	Stainless bracket	1
2	M6x20 allen fasteners	2
3	M6x15 allen fasteners	1
4	DIN9021 M6 washers	2
5	M6 nuts	2
6	M6 nut	1
7	Plastic ziptides	4
8	License support light	1
9	Reflector	1
10	Support for reflector	1
11	M5x10 ISO7380	2
12	Nut M5 DIN6923	2



Puig provides the best in motorcycle license plate accessories equipment.