

LICENSE SUPPORT ADAPTABLE TO YAMAHA TMAX 530 12' -  
REF: 6092N

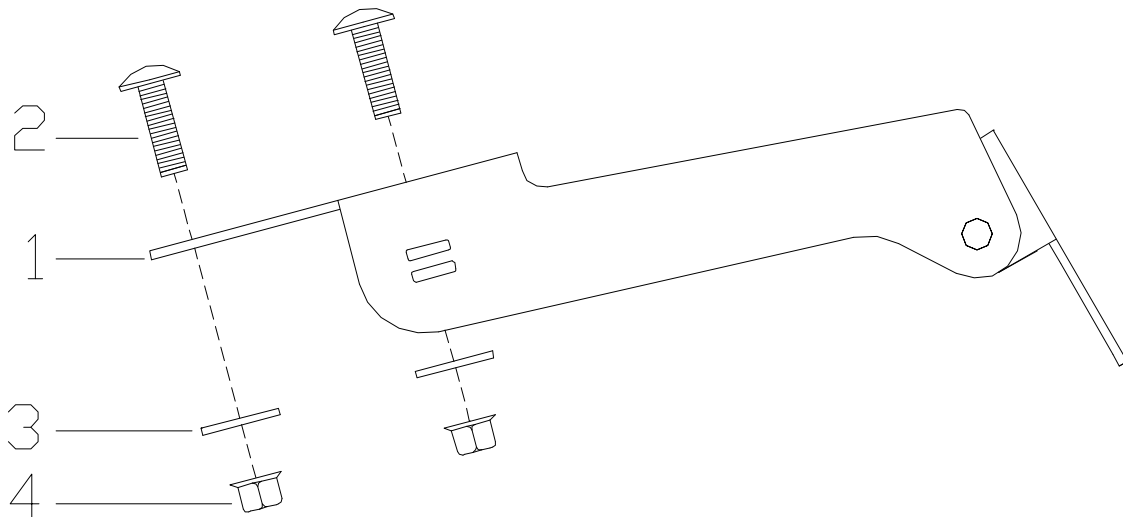


**MOUNTING INSTRUCTIONS**

- 1) Remove the original support.
- 2) Mount the support (1) supplied as the figure below shows, using the material supplied.

Material supplied:

POSITION	DESCRIPTION	QUANTITY
1	<i>License support</i>	1
2	<i>Screw M6x15 DIN1001</i>	4
3	<i>Black M6 DIN9021 washers</i>	4
4	<i>M6 DIN6923 nuts</i>	4
5	<i>Ziptides</i>	3
6	<i>License support light</i>	1
7	<i>Reflector</i>	1
8	<i>Support for reflector</i>	1



Puig provides the best in motorcycle license plate accessories equipment.