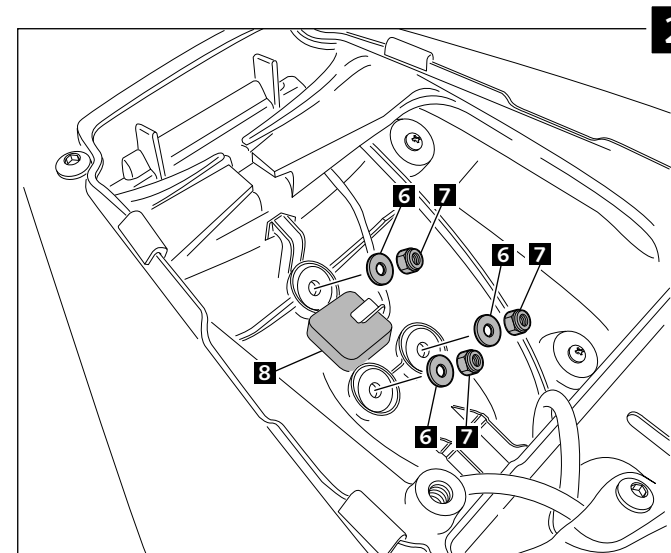
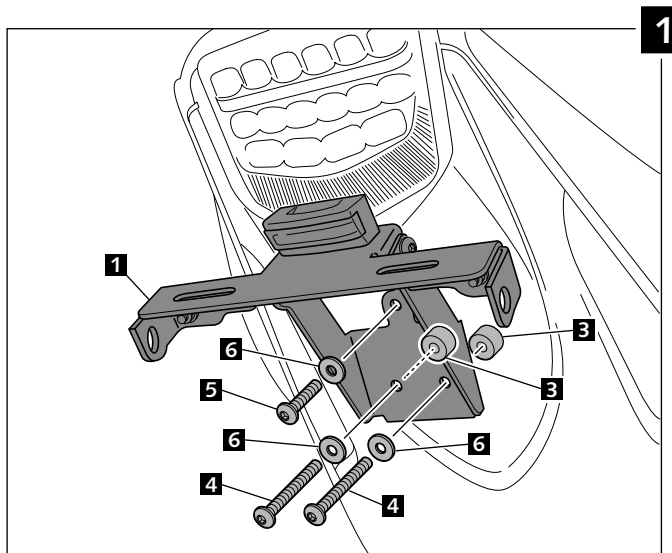
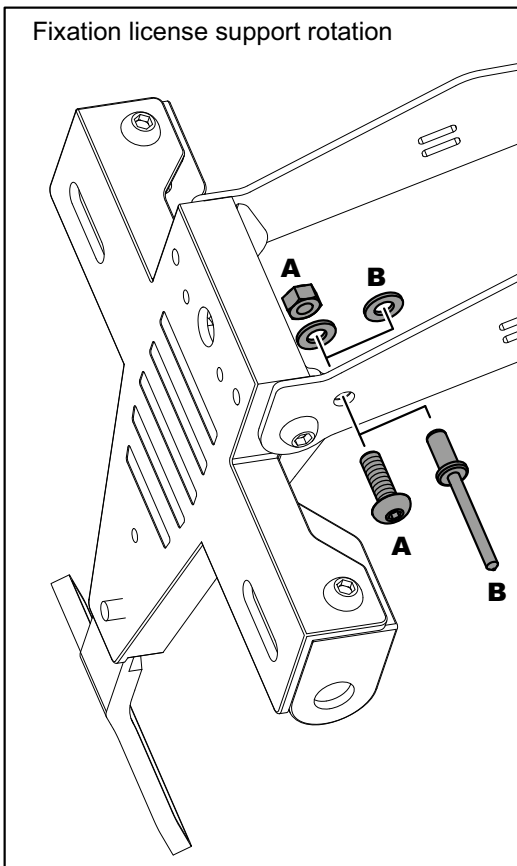


Fixation license support rotation



ID.	DESCRIPTION	QTY.
1	Stainless bracket	1
2	Plastic ziptides	4
3	Aluminium metal arrowhead	2
4	M6x45 DIN933 fasteners	2
5	M6x20 DIN933 fasteners	1
6	M6 washer	6
7	M6 nut	3
8	Adhesive foam	1
9	License support light	1
10	Reflector	1
11	Support for reflector	1
12	M5x10 fasteners ISO7380	2
13	M5 Nuts DIN6923	2

It would be convenient to re-tight the licence support screws, specially the ones that are fixed to the motorcycle, whenever you maintain the vehicle.

Thanks for your attention.