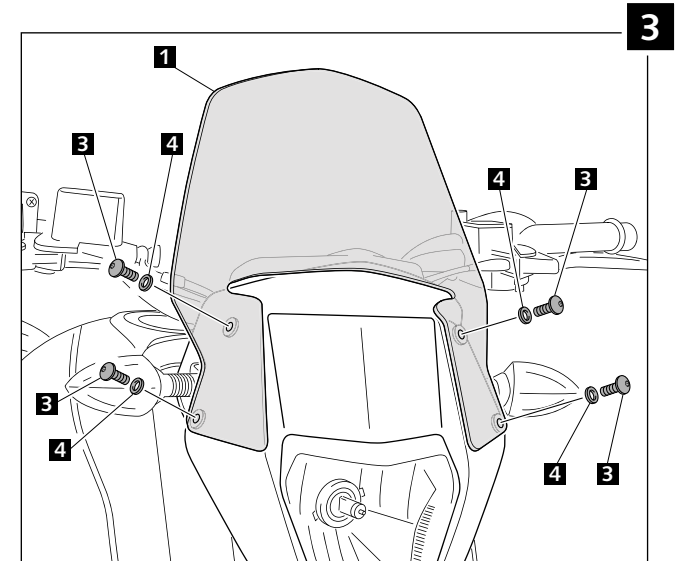
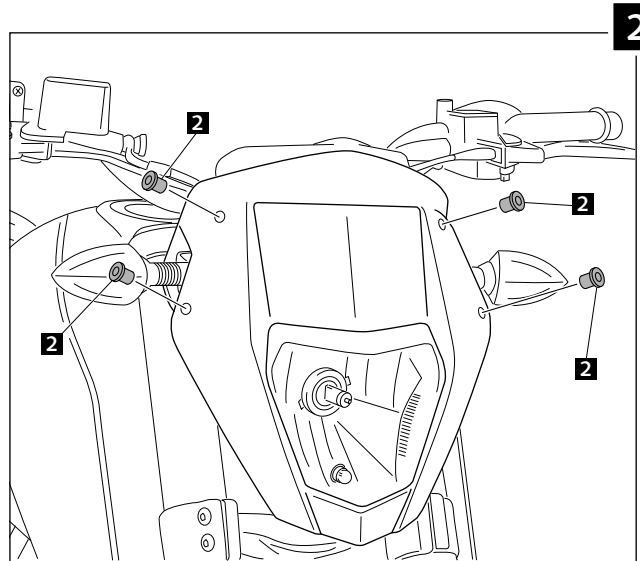
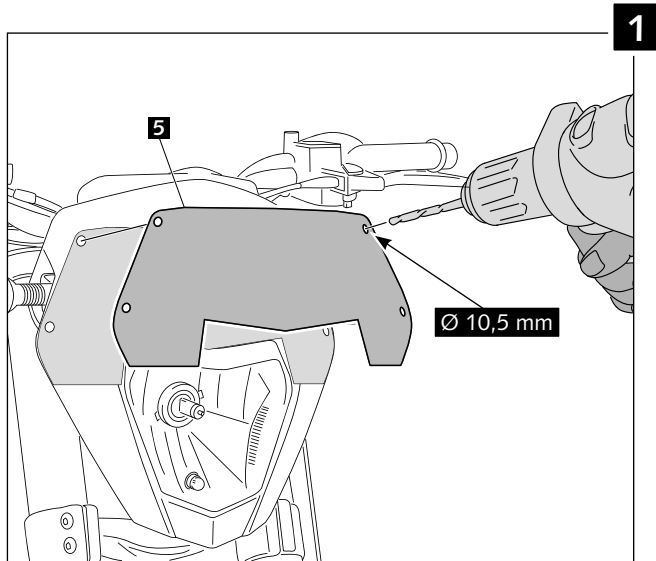


## MOUNTING INSTRUCTIONS

WINDSHIELD ADAPTABLE TO **KTM DUKE 690 '12**  
 - '19

Ref.: 6009



ID.		DESCRIPTION	QTY.
1		Screen	1
2		M5 nut well nut	4
3		M5x16 ISO 7380 allen screw	4
4		Ø5XØ11x1 nylon washer	4
5		Template	1