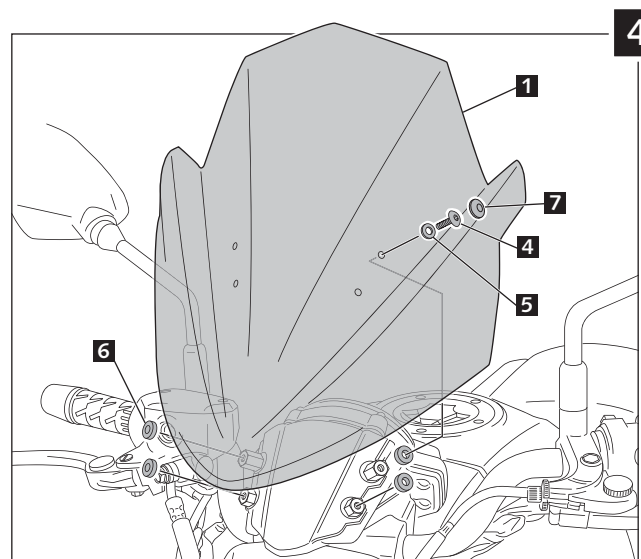
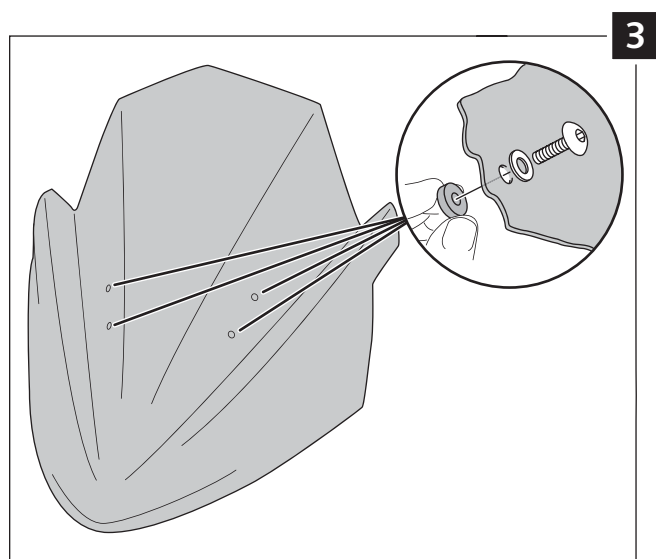
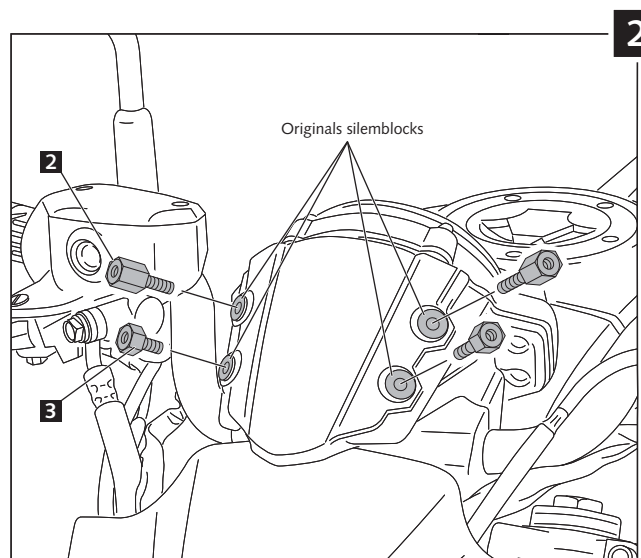
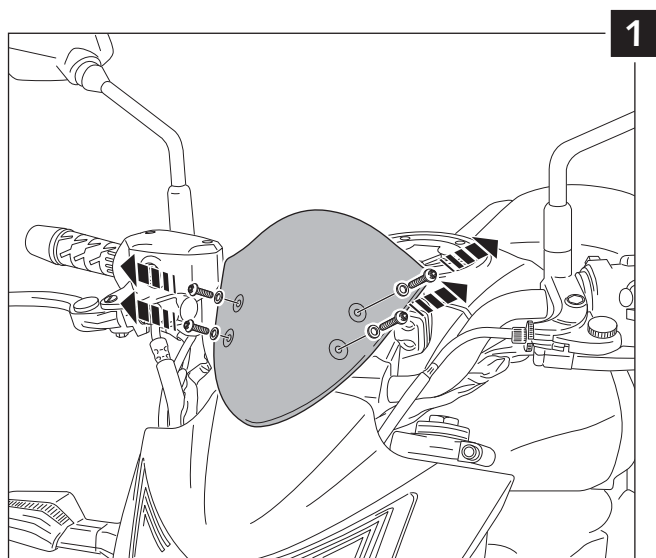









MOUNTING INSTRUCTIONS

SCREEN ADAPTABLE TO
KAWASAKI ER6N 12'-

Ref.: 5997



ID.		DESCRIPTION	QTY.
1		Screen	1
2		Especial screw M5x17 + hexagonal length 14mm	2
3		Especial screw M5x13 + hexagonal length 10mm	2
4		M5x11 ISO 7380 Allen screw	4
5		Ø5xØ11x1 nylon washer	4
6		Ø ext.13 x Ø int.5x4 rubber washer	4
7		M5 ISO 7380 Screw cap	4

TIPS FOR A CORRECT WINDSCREEN ASSEMBLY

Due to storage and transport processes of the windscreens, which are subjected to positions and temperature changes out of our control, this may produce small deformations on the material causing some difficulties on the mounting process. It is recommended to:

- 1- Place the screws on one side without tighten all the way.
- 2- Stretch the windscreen to the other side (see Fig. 1). The flexibility of the material allows this stretch with no risk of breaking or cracking.
- 3- Place the screws without tightening all the way.
- 4- Tighten progressively all the screws.

