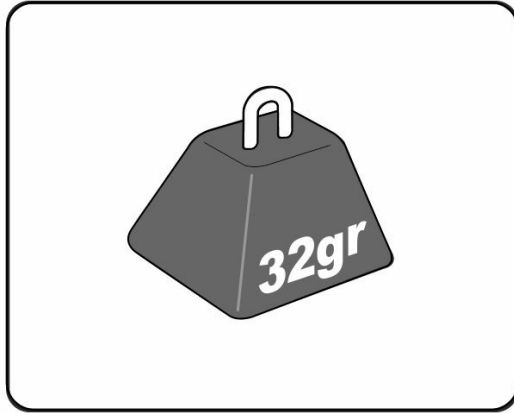
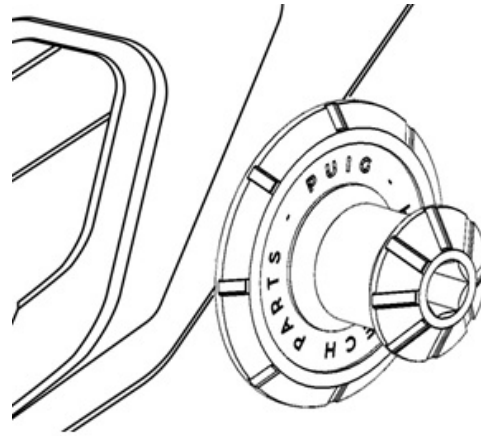


TECHNICAL FEATURES

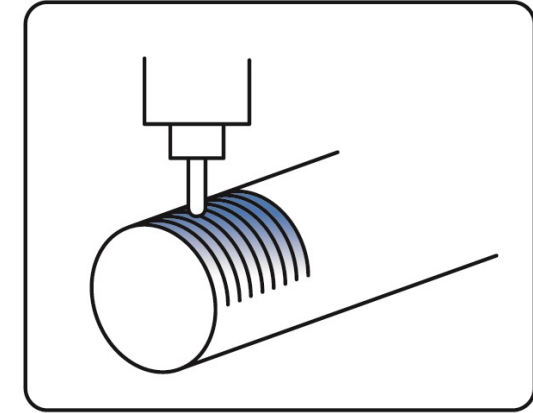


WEIGHT



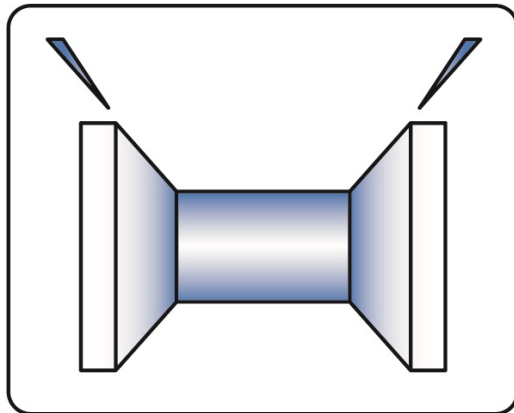
PROTECTION

The swingarm is protected by the incorporation of the nylon washer.



MATERIAL

Manufactured from a mass of milled and anodized aluminum or nylon for greater robustness.



Fixation

Lace guide with the easel to raise the motorcycle off the ground quickly and safely.