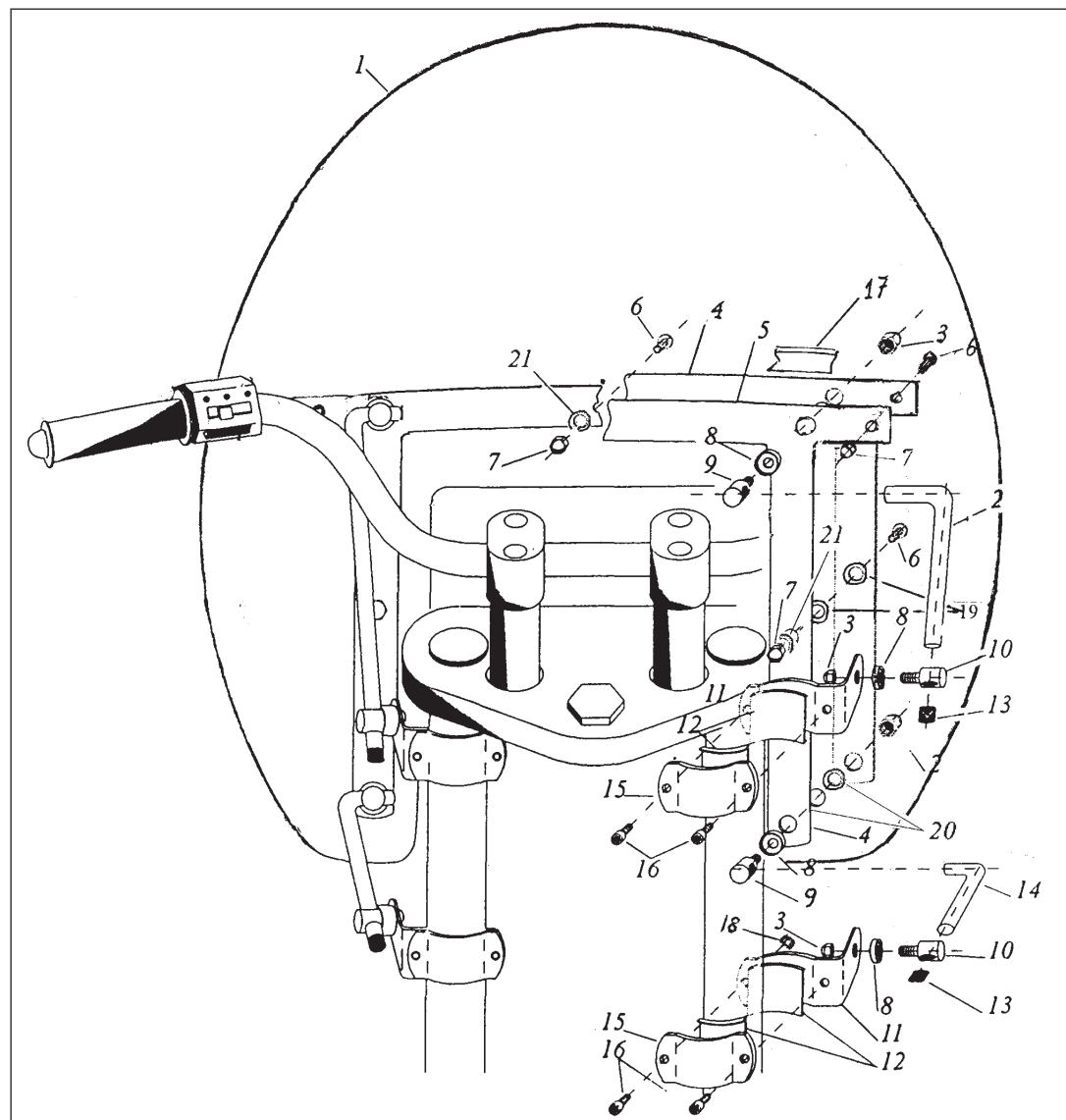




It would be convenient to re-tight the windshield screws, specially the ones that are fixed to the motorcycle, whenever you maintain the vehicle.

Thanks for your attention.

ID.	DESCRIPTION	QTY.
1	Clear Windshield	1
2	Ø9x205 INOX Large bar	2
3	M8 INOX nut	8
4	Outer bracket INOX	1
5	Inner bracket INOX	1
6	Philips screw M6x12 INOX	3
7	M6 INOX nut	3
8	Ø8xØ20x7 INOX special washer	8
9	Screw with drill through M8x29 INOX	4
10	Screw with drill through M8x26 INOX	4
11	Large semi-bridle	4
12	Plastic arrowhead	8
13	Cover plastic	8
14	Short bar	2
15	Short semi-bridle	4
16	Allen screw M6x16 INOX	8
17	Flexible trim	1
18	Special M6 INOX nut	8
19	Plastic washer Ø6	6
20	Arandela plástico Ø7,5	8
21	Arandela Grower INOX Ø6	5



MOUNTING INSTRUCTIONS

AMERICA KIT FOR HARLEY DAVIDSON MODELS

Ref.: 5262I



It would be convenient to re-tight the windshield screws, specially the ones that are fixed to the motorcycle, whenever you maintain the vehicle.

Thanks for your attention.

ID.	DESCRIPTION	QTY.
1	Large semi-bridle INOX	4
2	Plastic arrowhead	4
3	Short semi-bridle INOX	4

