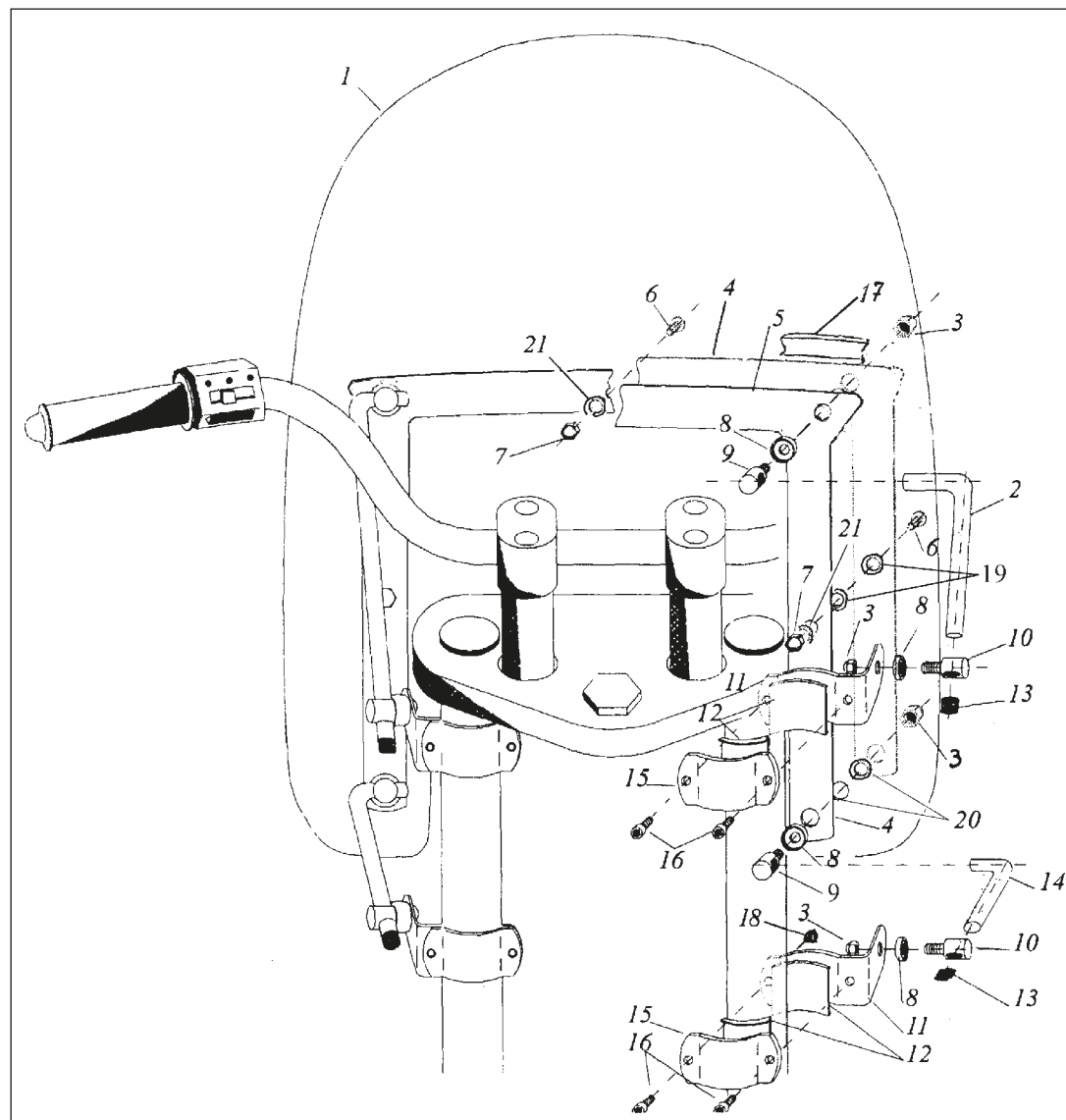




It would be convenient to re-tight the windshield screws, specially the ones that are fixed to the motorcycle, whenever you maintain the vehicle.

Thanks for your attention.

ID.	DESCRIPTION	REF.	QTY.
1	Clear Windshield	0867WM3	1
2	Ø9x205 INOX Large bar	VARILLPI304-205	2
3	M8 INOX nut	TUERCACEM8I-393	8
4	Outer bracket INOX	PLATINI304--017	1
5	Inner bracket INOX	PLATINI304--018	1
6	Philips screw M6x12 INOX	TORNI-D7985-545	3
7	M6 INOX nut	TUERCACEM6I-392	3
8	Ø8xØ20x7 INOX special washer	ARAND-I-RE--503	8
9	Screw with drill through M8x29 INOX	TORNI-I-TP--501	4
10	Screw with drill through M8x26 INOX	TORNI-I-TP--502	4
11	Large semi-bridle	PLATI-I304---38	4
12	Plastic arrowhead	CASQUI-CA---72	8
13	Cover plastic	TOPEE-VPGT--8/4	8
14	Short bar	VARILLPI304-I15	2
15	Short semi-bridle	PLATI-I304---39	4
16	Allen screw M6x16 INOX	TORNI-I7380-485	8
17	Flexible trim	RIBET-TE-CH----	1
18	Special M6 INOX nut	TUERC-GI----515	8
19	Plastic washer Ø6	ARAND-PD55---68	4
20	Plastic washer Ø7,5	ARAND-PD75---68	4
21	Grower washer INOX Ø6	ARAND-D127--528	3



MOUNTING INSTRUCTIONS

AMERICA KIT FOR HARLEY DAVIDSON MODELS

Ref.: 5262I



It would be convenient to re-tight the windshield screws, specially the ones that are fixed to the motorcycle, whenever you maintain the vehicle.

Thanks for your attention.

ID.	DESCRIPTION	QTY.
1	Large semi-bridle INOX	4
2	Plastic arrowhead	4
3	Short semi-bridle INOX	4

