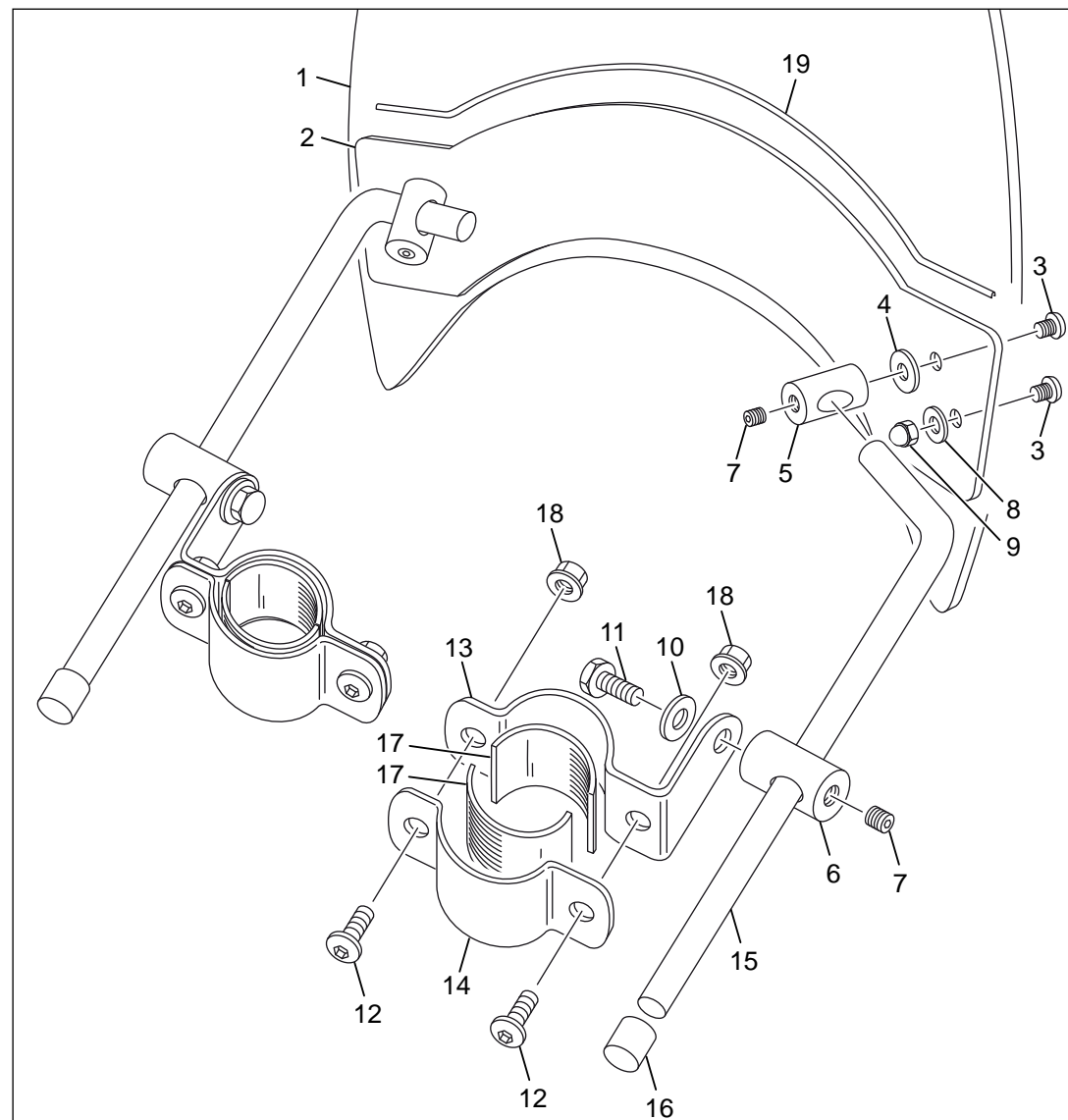
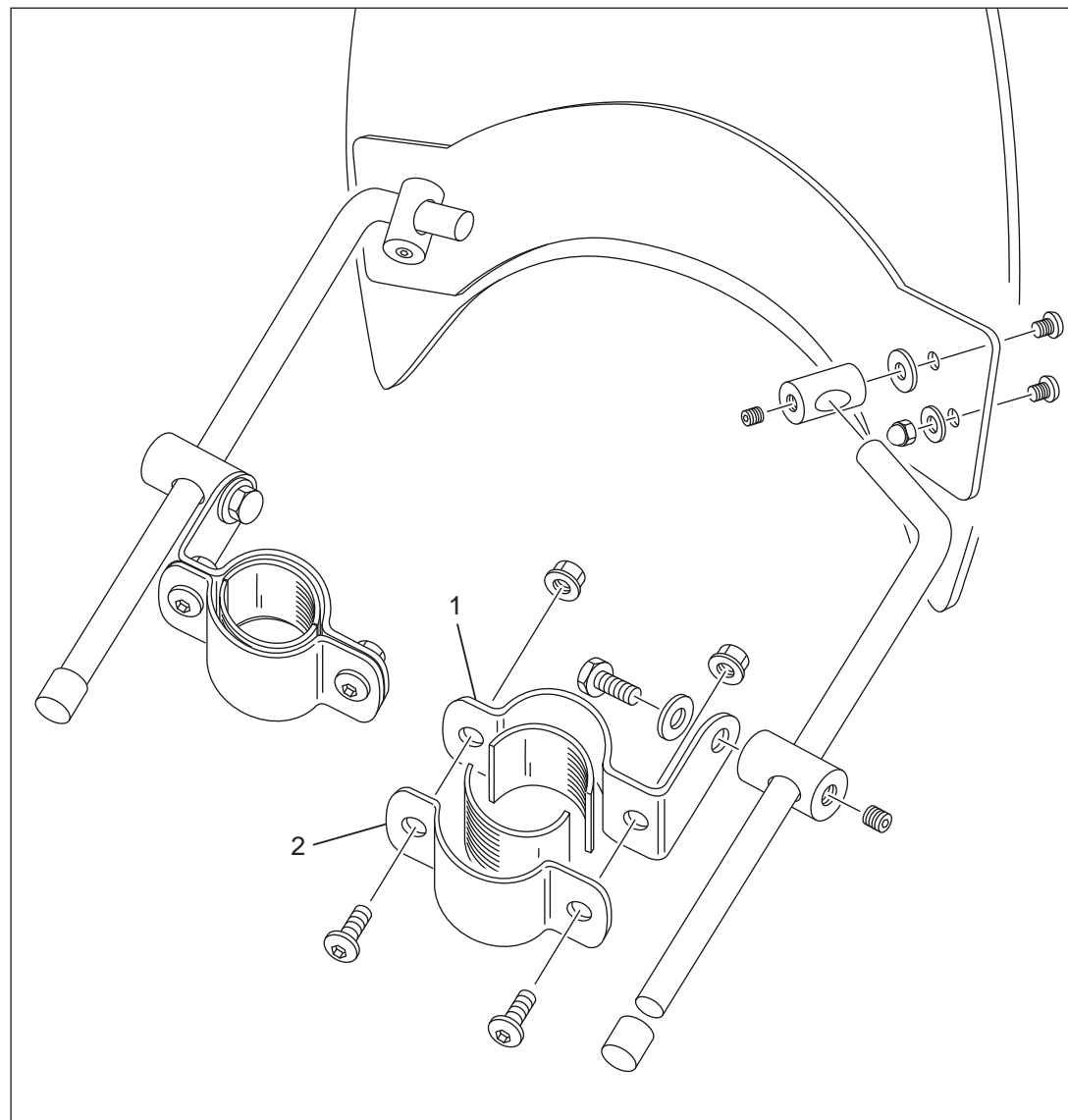




MATERIAL SUPPLIED AND SORTED TO ASSEMBLE TO THE SCOOTER

ID.	DESCRIPTION	QTY.
1	Clear Windshield	1
2	Outer bracket INOX	1
3	Screw Allen countersunk M6x12	4
4	Metal washer Ø18xØ6,5x1,5	2
5	Screw with drill through 1= 23mm	2
6	Screw with drill through 1= 30mm	2
7	Allen screw M8x8	4
8	Metal washer Ø12xØ6,5x1,5	2
9	M6 INOX nut	2
10	Striate washer Ø8	2
11	M8x15 screw	2
12	Allen screw M6x12 DIN 912	4
13	Large semi-bridle	2
14	Short semi-bridle	2
15	Ø9x205 Large bar	2
16	Cover plastic	2
17	Plastic arrowhead	4
18	Special M6 INOX nut	2
19	Trim	1





MATERIAL SUPPLIED AND SORTED TO ASSEMBLE TO THE SCOOTER:

ID.	DESCRIPTION	QTY.
1	50mm large semi-bridle	2
2	50mm short semi-bridle	2
	Dipstick and screws Roadster model	