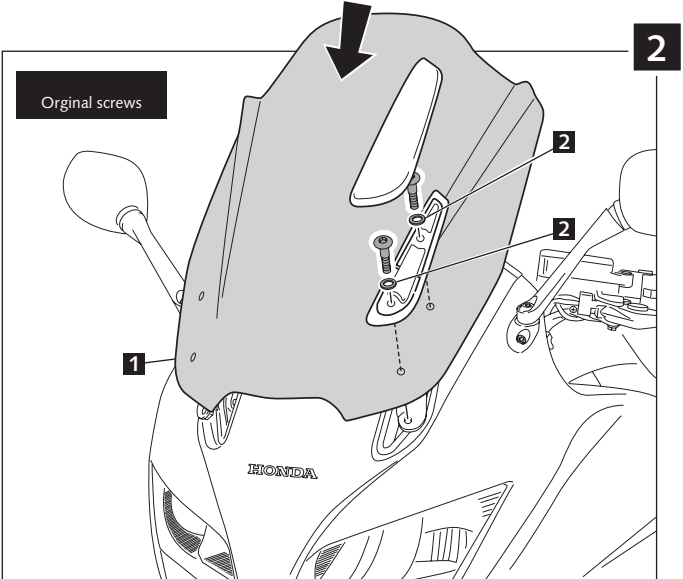
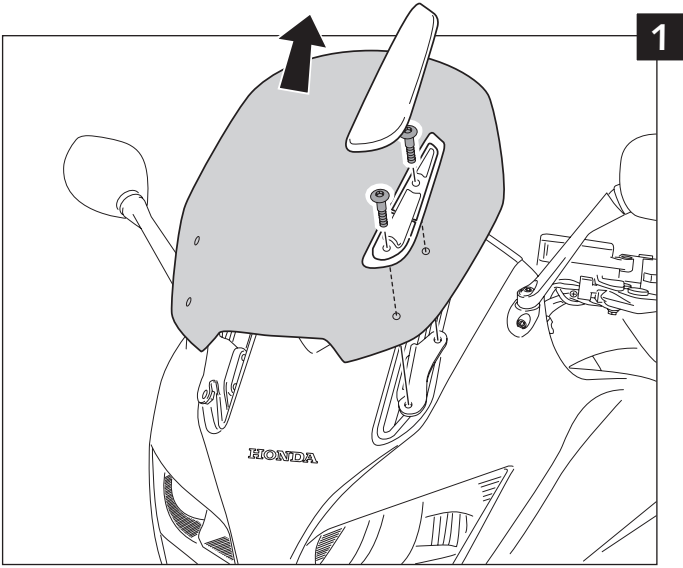
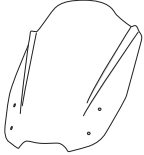



MOUNTING INSTRUCTIONS

**SCREEN ADAPTABLE TO
 HONDA CBF 1000F 10'-16'**

Ref.: 5252



ID.		DESCRIPTION	QTY.
1		Screen	1
2		16x8,5x2mm metal washer	4

MULTI-ADJUSTABLE VISOR



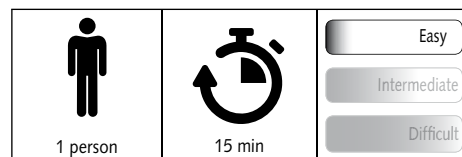
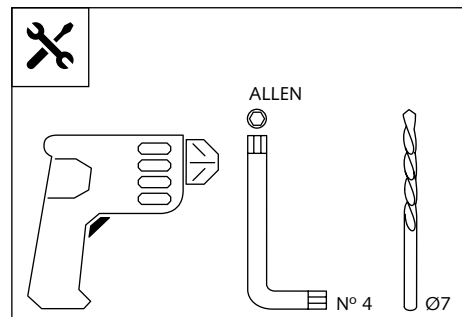
Ref.: 6007

Ref.: 5852

Ref.: 5853

Smoke

Clear

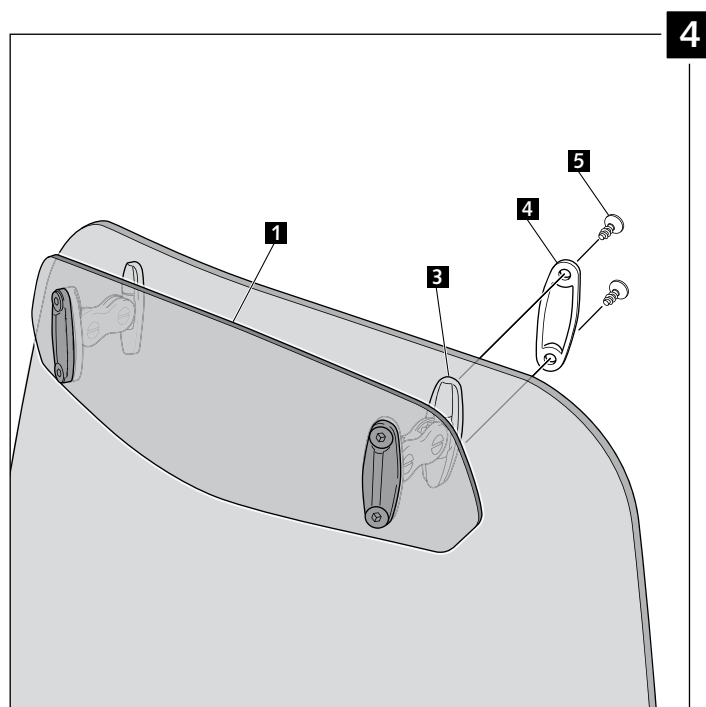
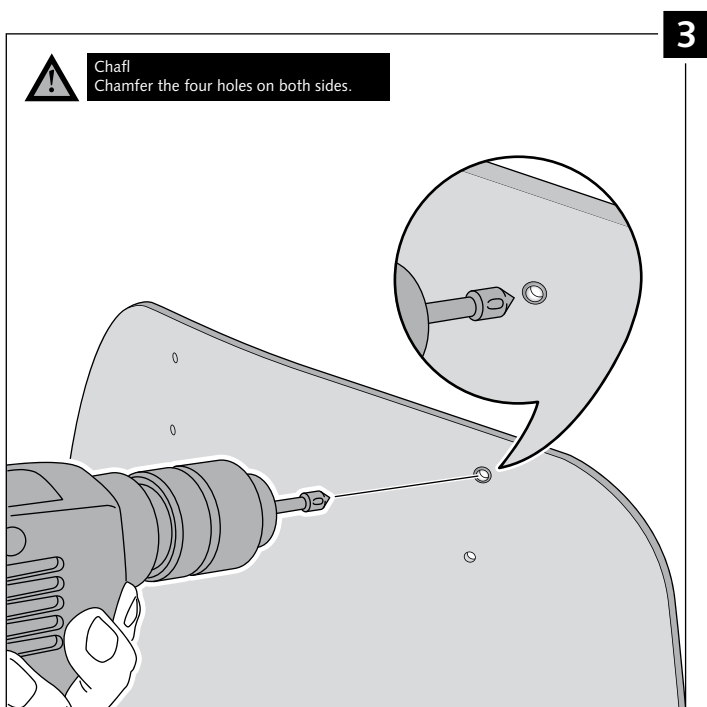
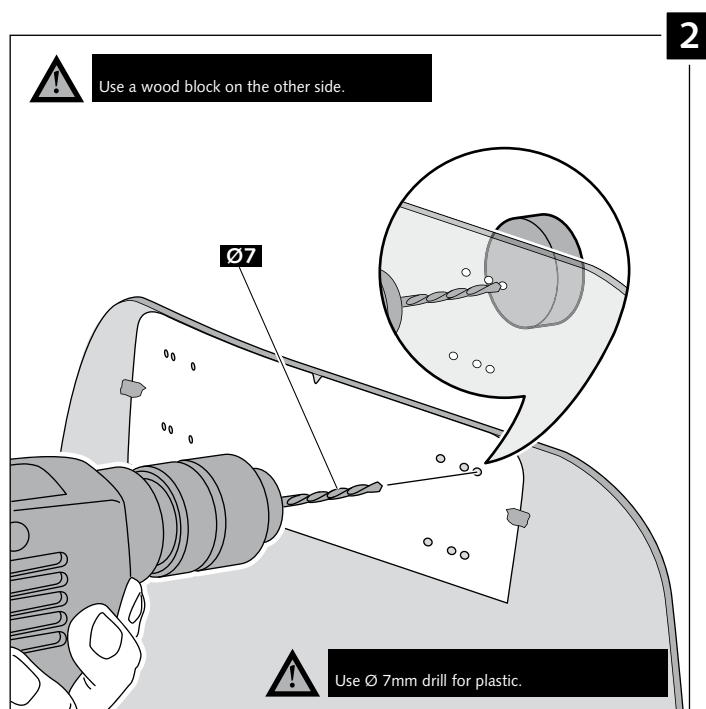
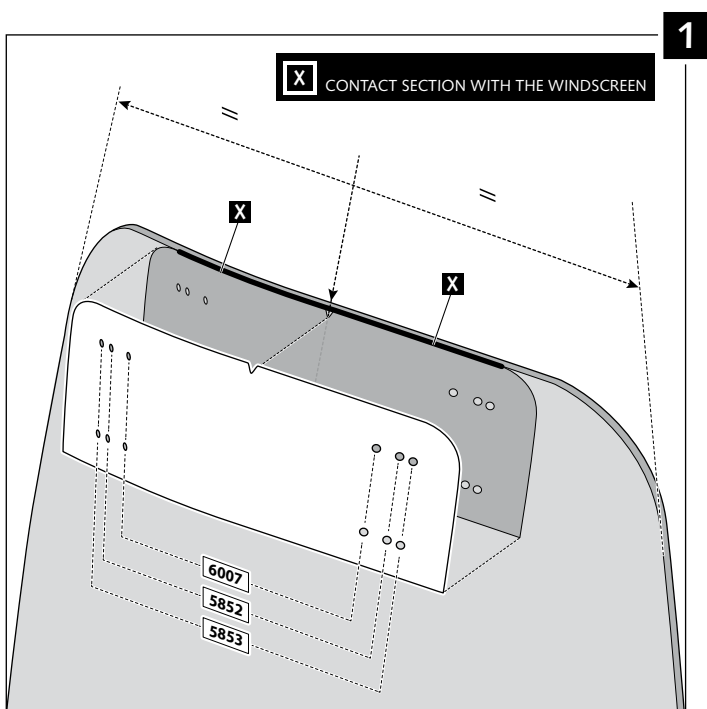


Note:

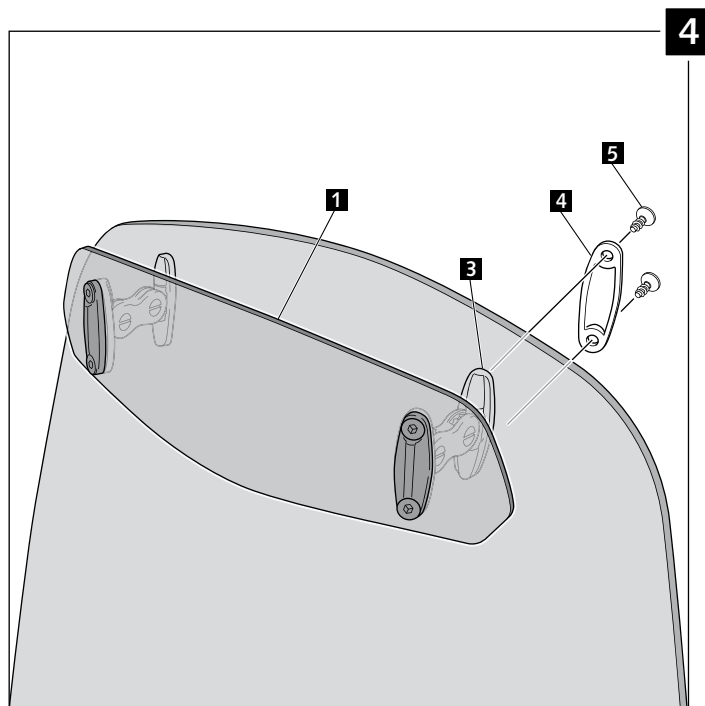
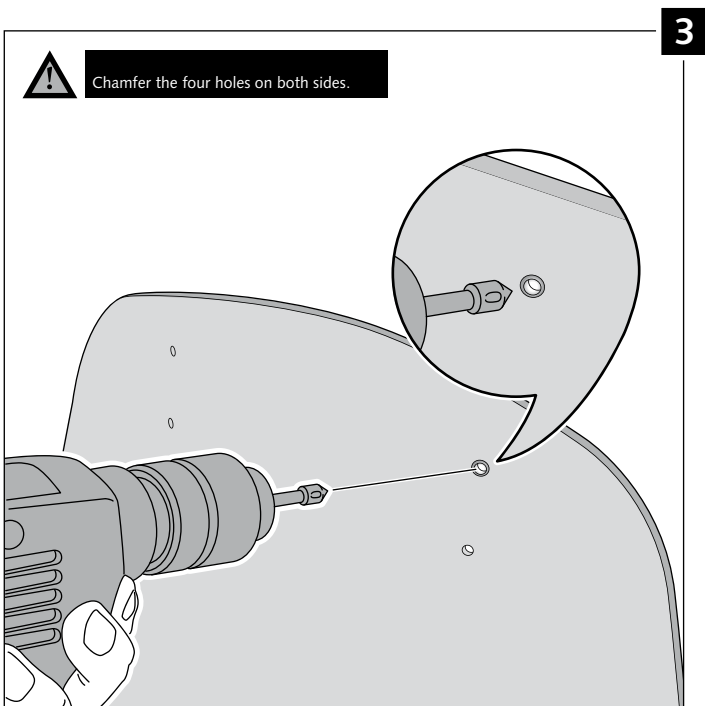
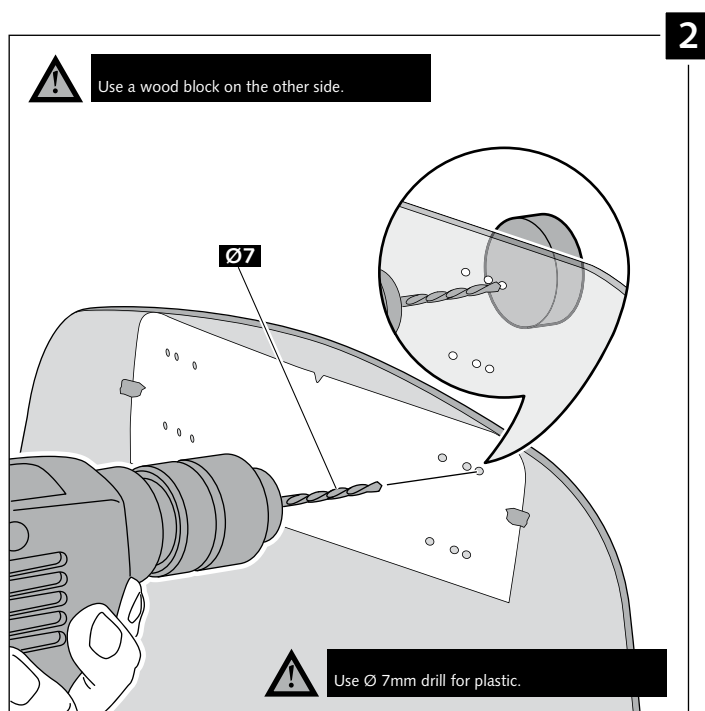
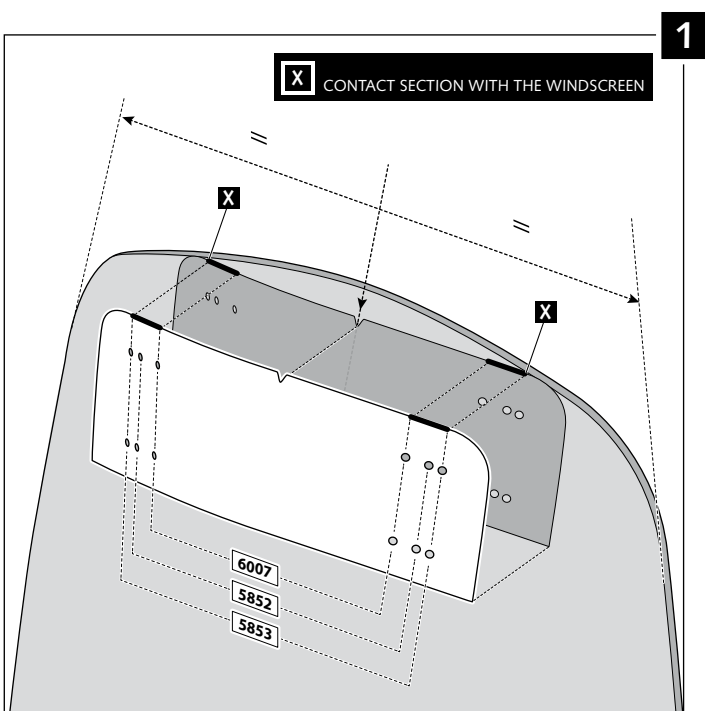
If the visor is supplied along with the windscreen, the windscreen will come factory-drilled so no drilling is necessary.

ID.	PART	DESCRIPTION	QTY.
1		Visor	1
2		Template	1
3		Multi-adjustable mechanism	2
4		Cap	4
5		Plastic thread fastener M6x12	8

TYPE A



TYPE B



TYPE C

