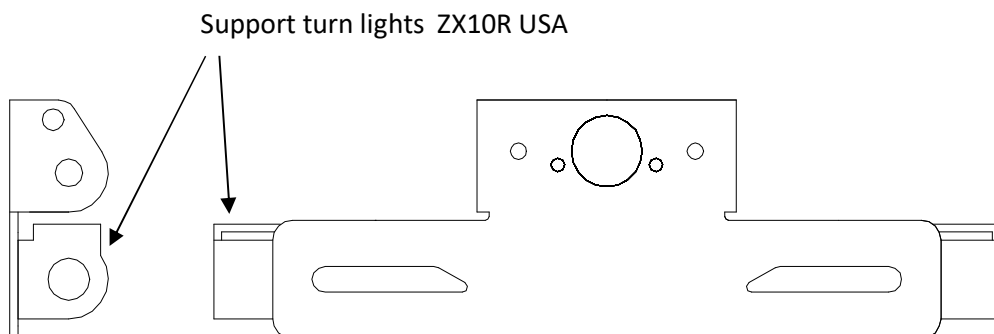
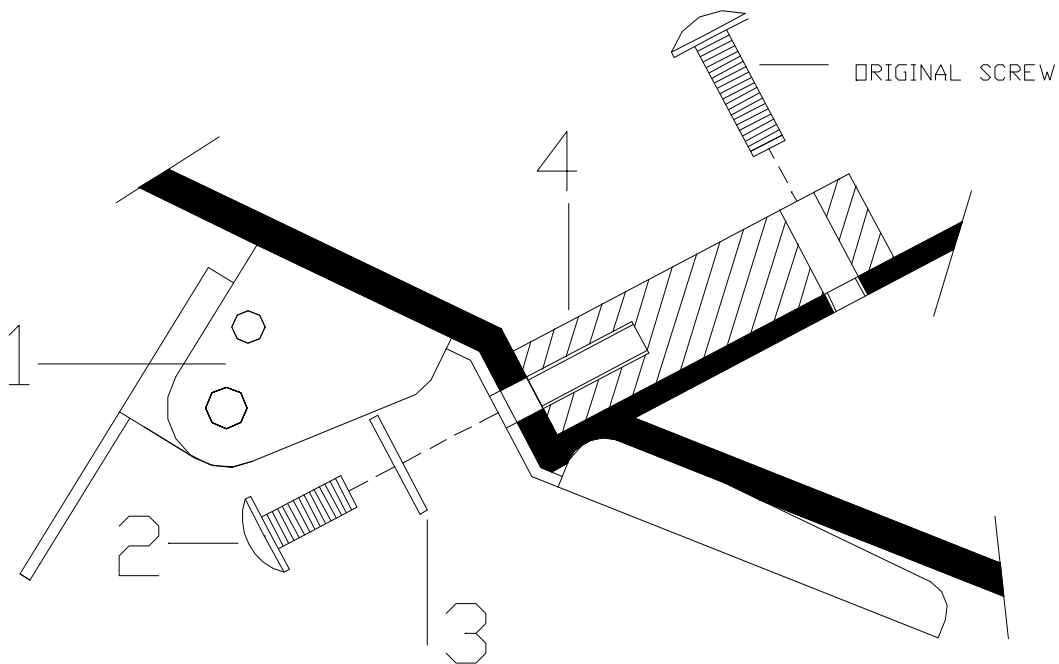


LICENSE SUPPORT ADAPTABLE TO KAWASAKI ZX10R 11' -
REF: 5736N



Material supplied:

POSITION	DESCRIPTION	QUANTITY
1	License support	1
2	M6x15 DIN1001	2
3	Black M6 DIN9021 washers	2
4	Black Ø16x64 metallic cylinder	2
5	Ziptides	4
6	License support light	1
7	Reflector	1
8	Support for reflector	1



Puig provides the best in motorcycle license plate accessories equipment.