

**LICENSE SUPPORT ADAPTABLE TO SUZUKI GSXR600/750 12' -
REF: 5733N**

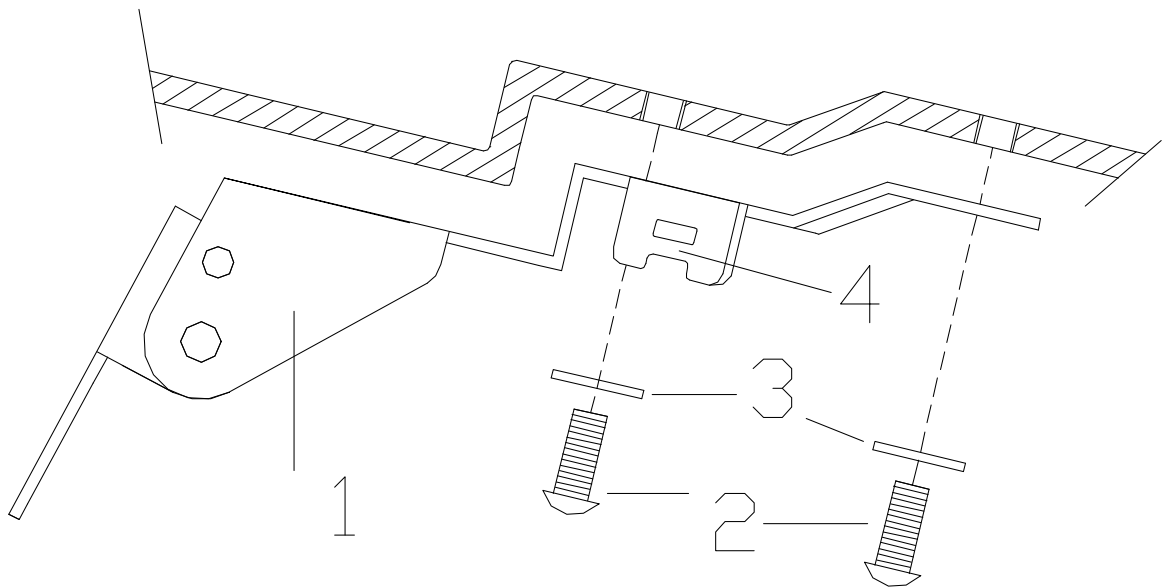


MOUNTING INSTRUCTIONS

- 1) Remove the original support.
- 2) Mount the support supplied (1), as the figure shows, using the M6x15 screws (2) and washers M6(3) supplied.

Material supplied to assemble it to the motorcycle::

POSITION	DESCRIPTION	QUANTITY
1	Adjustable support	1
2	M6x15 DIN1001	4
3	Washer M6	4
4	Ziptides	3
5	License support light	1
6	Reflector	1
7	Support for reflector	1



Puig provides the best in motorcycle license plate accessories equipment.