

## INSTRUCTIONS TO ASSEMBLE

Remove the fasteners that subject the chassis to the engine, on the point marked below (and the opposite side). Mount the protectors on each own side as the figure below shows. Tight the set, and place the caps.

All the screws replaced, should be tightened to the torque specified in the oem maintenance manual for your motorcycle. if no torque specifications are provided in the oem maintenance manual, may be used 54Nm for all M10 screws.

Medium strength liquid thread-locker (i.e., "Loctite") should be used to secure all screws, bolts and nuts.

All screws, bolts and nuts should be checked after driving the first 50 km to ensure that all are tightened to the proper torque.

ID.	DESCRIPTION	QTY.
1	Plastic caps	2
2	DIN912 M10/125X110 fastener	2
3	Ø20outer Ø10inner x2 washer DIN125/A	2
4	Nylon protector	2
5	Aluminium cylinder	2

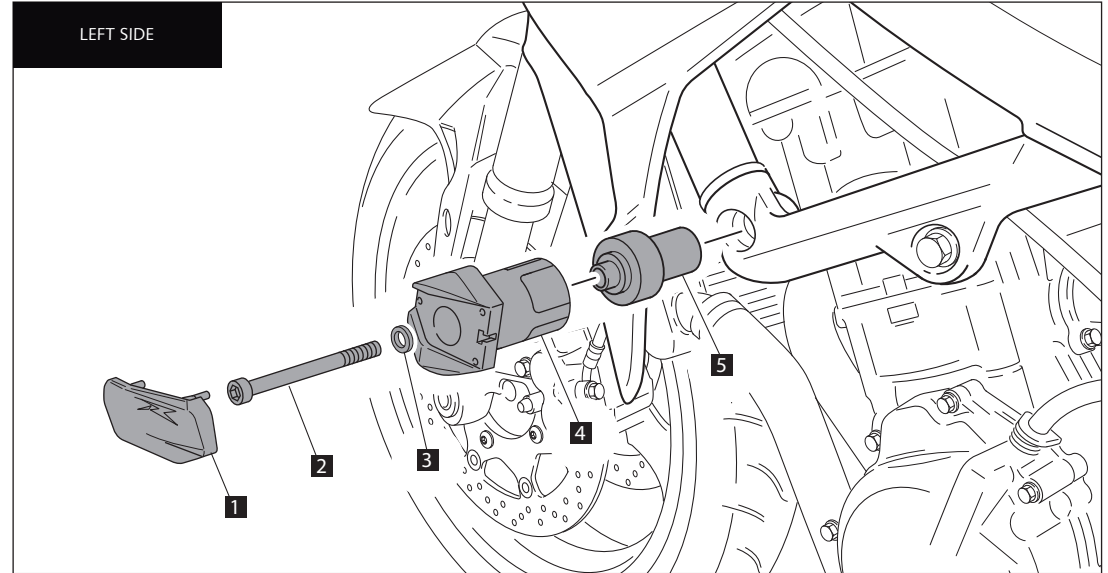
FOR TO ASSEMBLE THE CRASH PADS, IF YOU ARE NOT A TRAINED MECHANIC, PLEASE CONTACT A SPECIALIST. MOTOPLASTIC, S.A. TAKES NO RESPONSIBILITY FOR DAMAGES CAUSED BY IMPROPER INSTALLATION. THE USE OF CRASH PADS DO NOT GUARANTEE A FULL PROTECTION IN CASE OF ACCIDENT. MOTOPLASTIC-PUIG DECLINE ANY RESPONSIBILITY IN CASE OF MOTORCYCLE DAMAGE.

## MOUNTING INSTRUCTIONS

CRASH PADS FOR SUZUKI GSR750 '11 - '12

Ref.: 5698

LEFT SIDE



RIGHT SIDE

