

INSTRUCTIONS TO ASSEMBLE

Remove the fasteners that subject the chassis to the engine, on the point marked below (and the opposite side). Mount the protectors on each own side as the figure below shows. Tight the set, and place the caps.

All the screws replaced, should be tightened to the torque specified in the oem maintenance manual for your motorcycle, if no torque specifications are provided in the oem maintenance manual, may be used 54Nm for all M10 screws.

Medium strength liquid thread-locker (i.e., "Loctite") should be used to secure all screws, bolts and nuts.

All screws, bolts and nuts should be checked after driving the first 50 km to ensure that all are tightened to the proper torque.

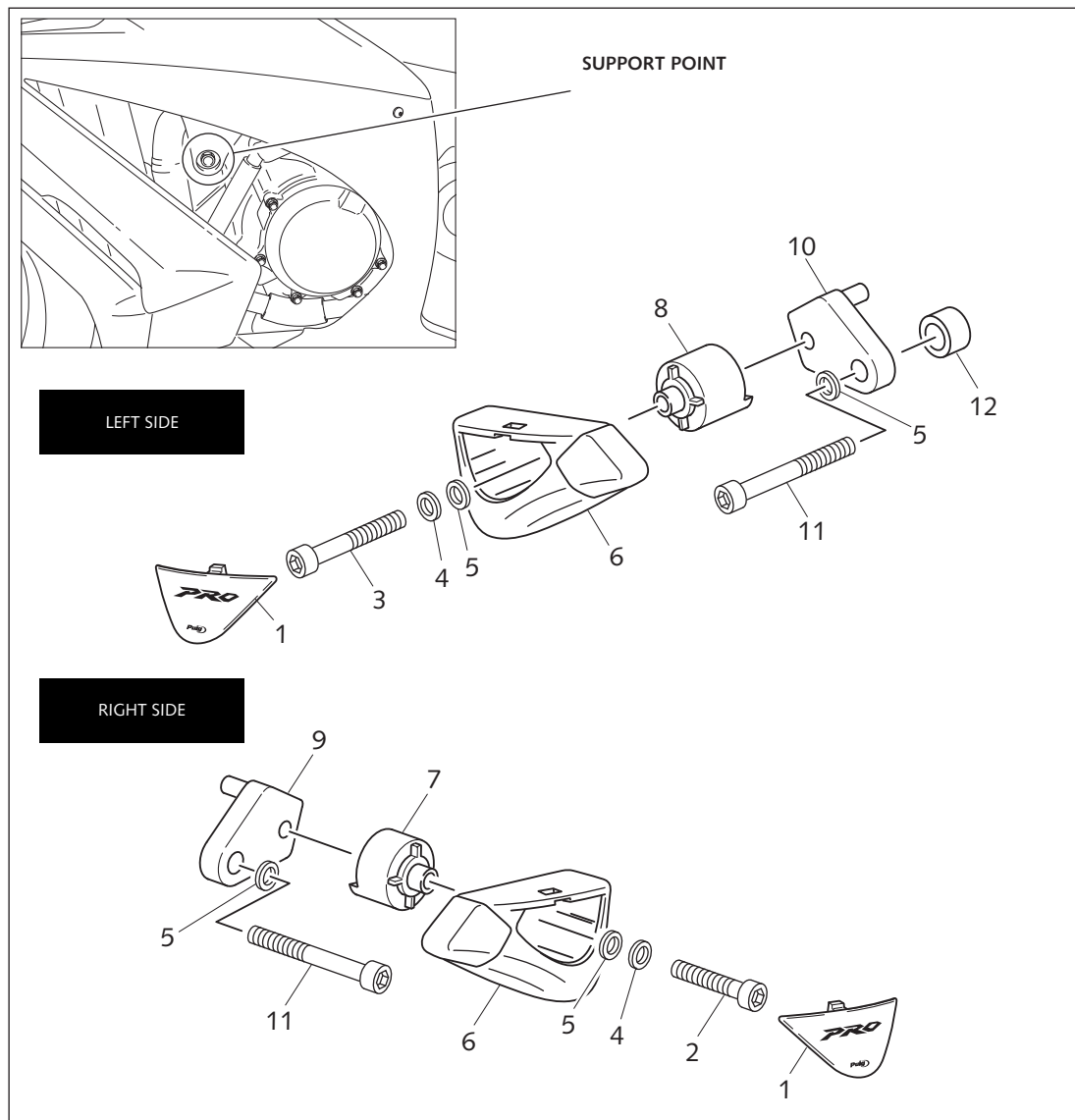
ID.	DESCRIPTION	QTY.
1	Caps set	2
2	M10/150x50 screw	1
3	M10/150x55 screw	1
4	M10 DIN6798/A washer	2
5	Ø20 outer Ø10 inner x2 washer	3
6	Nylon protector	2
7	Aluminium metal arrowhead right hand side	1
8	Aluminium metal arrowhead left hand side	1
9	Right Iron Plate	1
10	Left Iron Plate	1
11	M10/125 x80 screw	2
12	Aluminium metal arrowhead left hand side	1

FOR TO ASSEMBLE THE CRASH PADS, IF YOU ARE NOT A TRAINED MECHANIC, PLEASE CONTACT A SPECIALIST. MOTOPLASTIC, S.A. TAKES NO RESPONSIBILITY FOR DAMAGES CAUSED BY IMPROPER INSTALLATION. THE USE OF CRASH PADS DO NOT GUARANTEE A FULL PROTECTION IN CASE OF ACCIDENT. MOTOPLASTIC-PUIG DECLINE ANY RESPONSIBILITY IN CASE OF MOTORCYCLE DAMAGE.

MOUNTING INSTRUCTIONS

CRASH PADS FOR KAWASAKI ZX10R - '11-

Ref.: 5690N



Learn more about motorcycle frame and body we have.