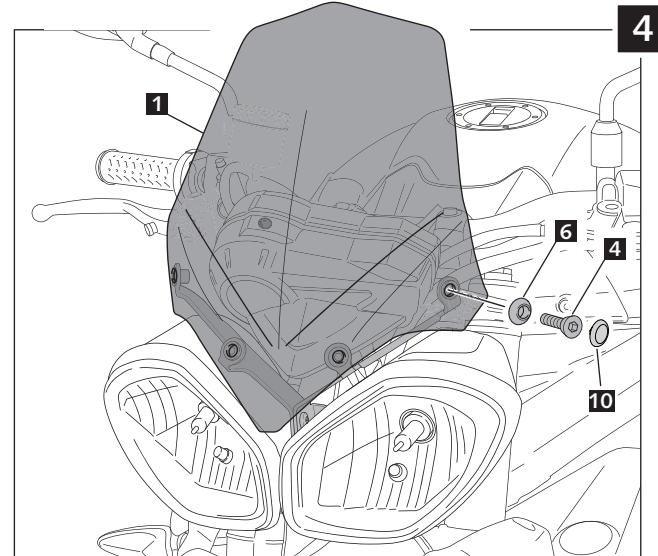
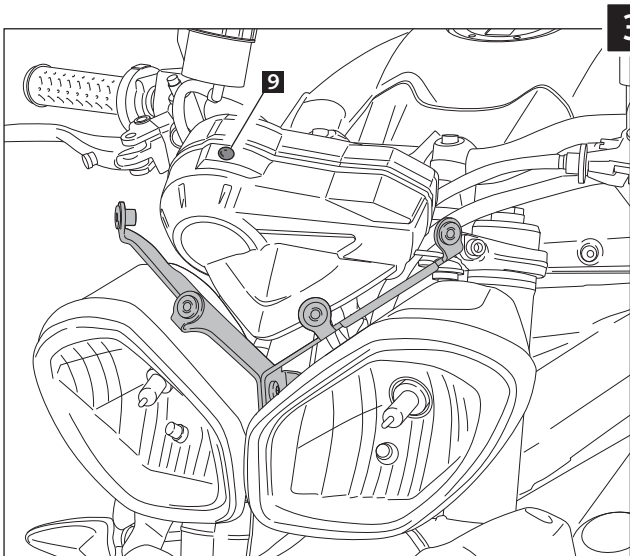
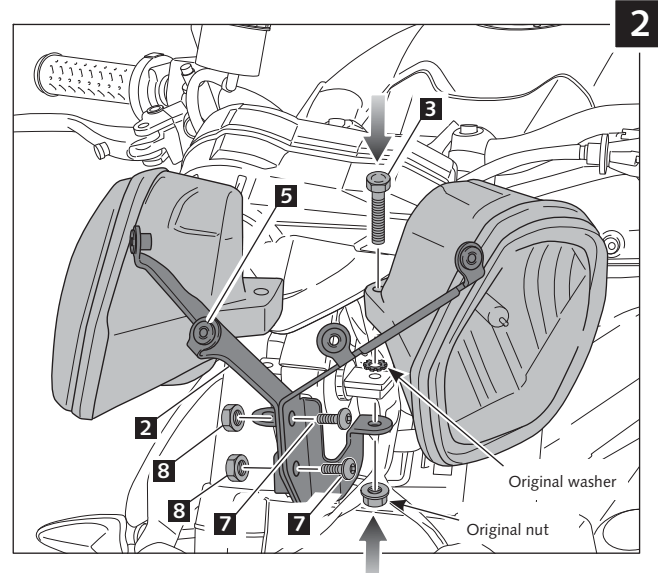
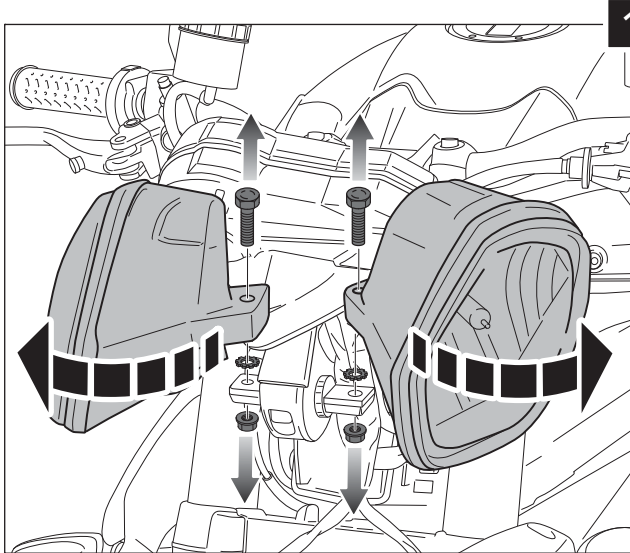


OUNTING INSTRUCTIONS

WINDSHIELD ADAPTABLE TO
TRIUMPH
STREET TRIPLE/R '11-

Ref.: 5658



ID.		DESCRIPTION	QTY.
1		Screen	1
2		Right/left metal support	1
3		M8x50 hexagonal screw	2
4		M6x25 DIN 7991 Allen screw	4
5		M6 nut incorporated well nut	4
6		Ø20 plastic washer	4
7		M6x15 ISO 7380 Allen screw	2
8		Special M6 nut	2
9		Ø8 silicone delimiter	1
10		DIN 7991 Screw cap	4

TIPS FOR A CORRECT WINDSCREEN ASSEMBLY

Due to storage and transport processes of the windscreens, which are subjected to positions and temperature changes out of our control, this may produce small deformations on the material causing some difficulties on the mounting process. It is recommended to:

- 1- Place the screws on one side without tighten all the way.
- 2- Stretch the windscreen to the other side (see Fig. 1). The flexibility of the material allows this stretch with no risk of breaking or cracking.
- 3- Place the screws without tightening all the way.
- 4- Tighten progressively all the screws.

