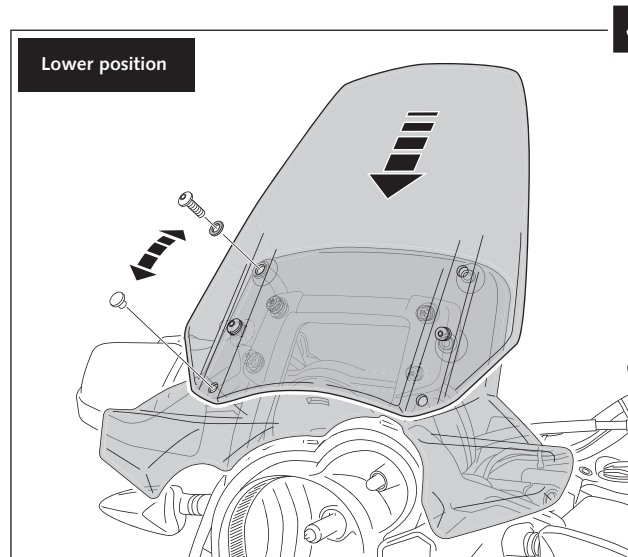
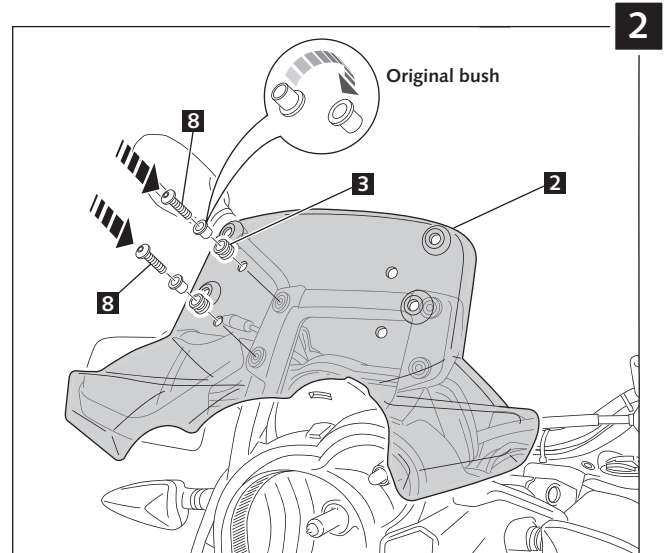
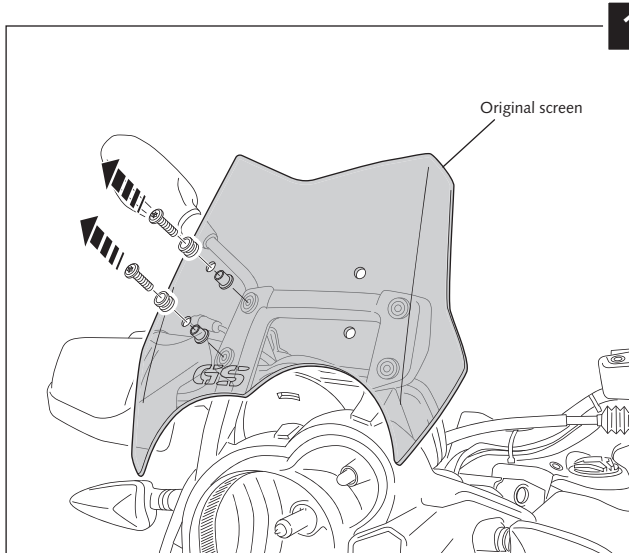
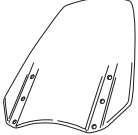









MOUNTING INSTRUCTIONS

SCREEN ADAPTABLE TO
BMW G 650 GS 2011-2014

Ref.: 5649



ID.		DESCRIPTION	QTY.
1		Mobile screen	1
2		Lower screen	1
3		Silemblock	4
4		M6 well nut	4
5		M6x15 ISO 7380 Allen screw	4
6		Ø6 nylon washer	4
7		Ø7 plastic plug	2
8		M5x20 ISO 7380 Allen screw	4

TIPS FOR A CORRECT WINDSCREEN ASSEMBLY

Due to storage and transport processes of the windscreens, which are subjected to positions and temperature changes out of our control, this may produce small deformations on the material causing some difficulties on the mounting process. It is recommended to:

- 1- Place the screws on one side without tighten all the way.
- 2- Stretch the windscreen to the other side (see Fig. 1). The flexibility of the material allows this stretch with no risk of breaking or cracking.
- 3- Place the screws without tightening all the way.
- 4- Tighten progressively all the screws.

