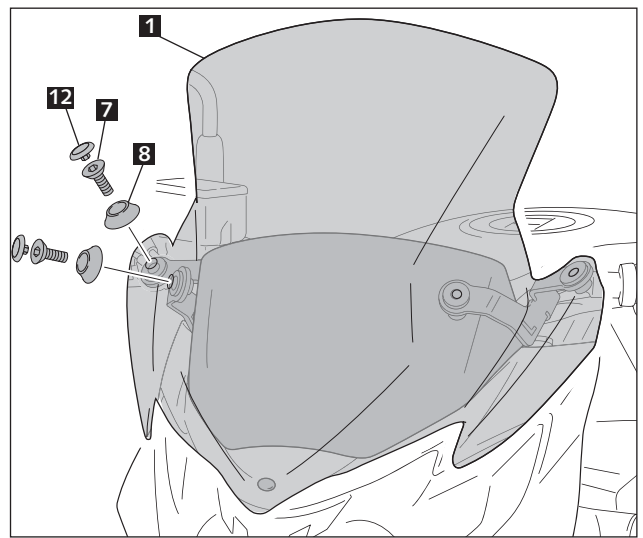
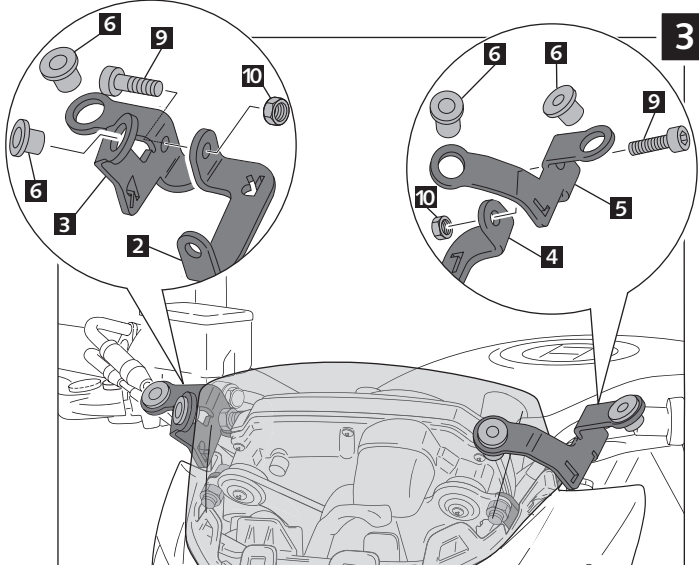
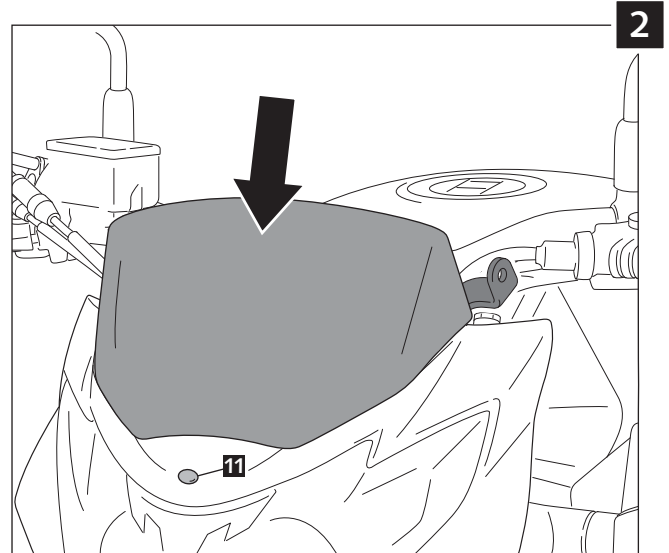
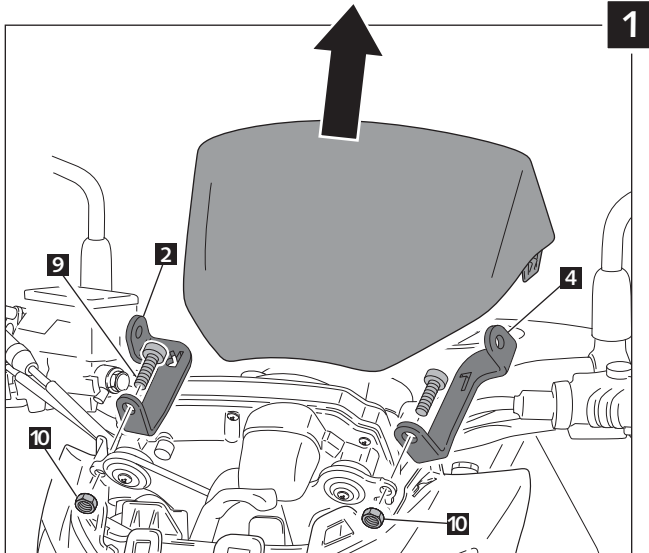


## MOUNTING INSTRUCTIONS

WINDSHIELD ADAPTABLE TO  
SUZUKI GSR 750/ABS 11'-

Ref.: 5646



ID.		DESCRIPTION	QTY.
1		Screen	1
2		Right metal support A	1
3		Right metal support B	1
4		Left metal support A	1
5		Left metal support B	1
6		M6 well nut (supplied already mounted on the piece n°3-5)	4
7		M6x20 ISO 7991 allen screw	4
8		Ø20 plastic washer	4
9		M6x15 DIN 912 Allen screw	4
10		Special M6 nut	4
11		Ø12,7x3,5 silicone delimiter	1
12		Screw tap	4

## TIPS FOR A CORRECT WINDSCREEN ASSEMBLY

Due to storage and transport processes of the windscreens, which are subjected to positions and temperature changes out of our control, this may produce small deformations on the material causing some difficulties on the mounting process. It is recommended to:

- 1- Place the screws on one side without tighten all the way.
- 2- Stretch the windscreen to the other side (see Fig. 1). The flexibility of the material allows this stretch with no risk of breaking or cracking.
- 3- Place the screws without tightening all the way.
- 4- Tighten progressively all the screws.

