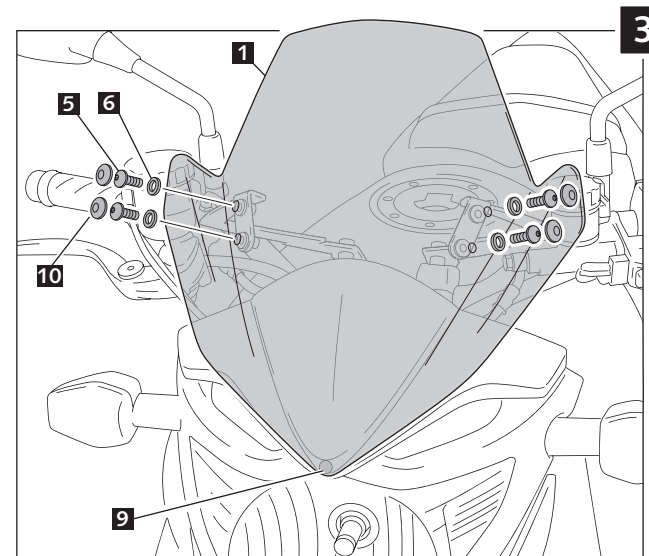
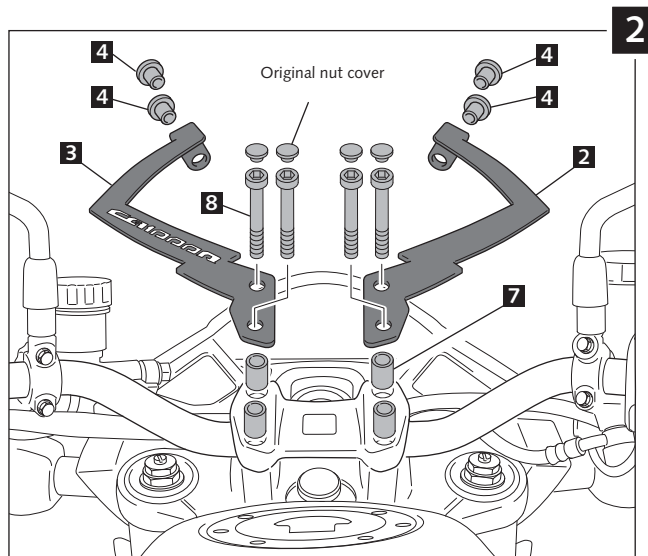
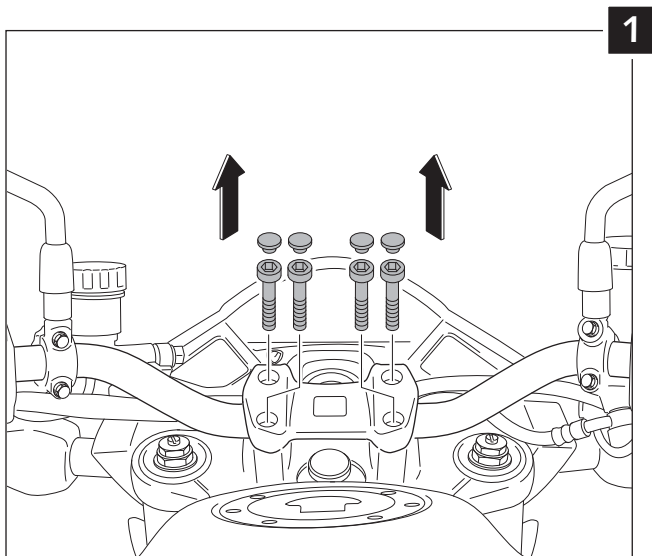








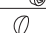
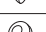


MOUNTING INSTRUCTIONS

WINDSHIELD ADAPTABLE TO HONDA CB1000R 11'-

Ref.: 5645



ID.	DESCRIPTION	QTY.
1	 Screen	1
2	 Right metal support	1
3	 Left metal support	1
4	 M5 well nut (supplied already mounted on the piece n°2-3)	4
5	 M5x16 ISO 7380 allen screw	4
6	 Ø5XØ11x1 nylon washer	4
7	 Arrowhead Ø outer14 x Ø inner 8,5x18	4
8	 M8x60 DIN 912 allen screw	4
9	 Ø12,7x3,5 silicone delimiter	1
10	 M5 DIN 7380 screw cap	4