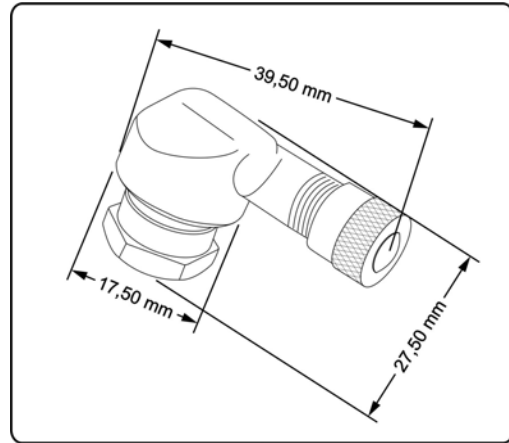
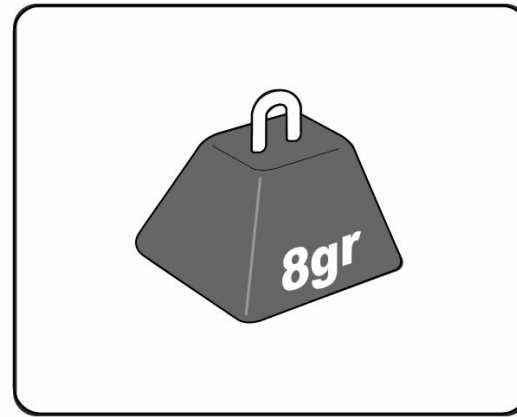


## TECHNICAL FEATURES

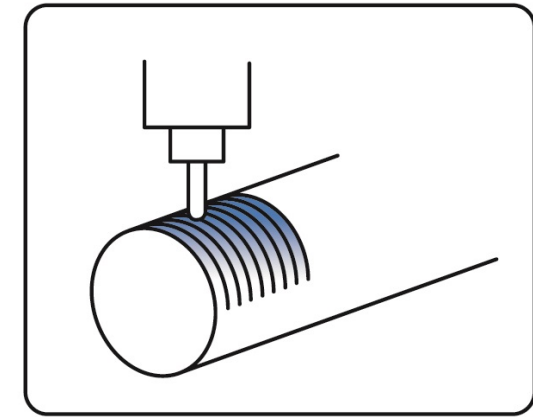


**MEASUREMENTS**



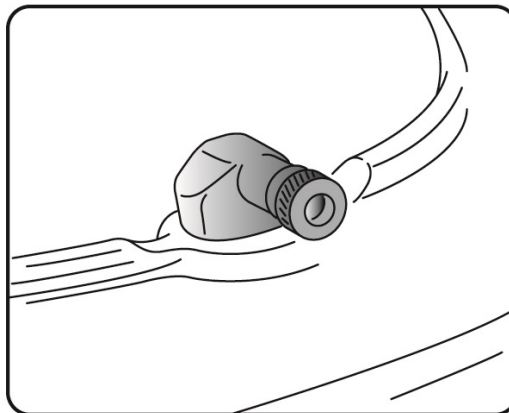
**WEIGHT**

Reduced to 8 grams



**MATERIAL**

Machined from a lightweight aluminum block.



**DESIGN**

Its design facilitates the swelling process.