

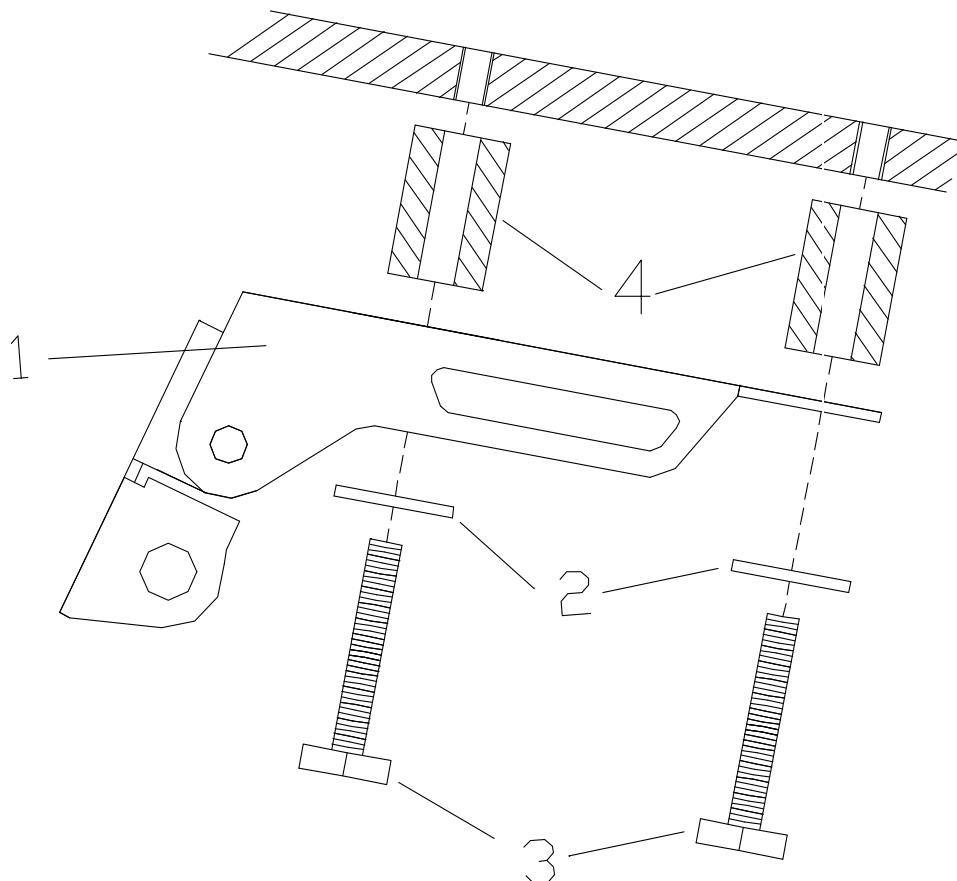


**MOUNTING INSTRUCTIONS**

- 1) Remove the original support.
- 2) Mount the support (1) supplied as the figure below shows, using the material supplied. Before mounting the license support, it is recommended to first guide the electric installation using the slots on the support and the ziptides supplied (10)

Material supplied:

| POSITION | DESCRIPTION               | QUANTITY |
|----------|---------------------------|----------|
| 1        | License support           | 1        |
| 2        | Black M6 DIN9021 washers  | 4        |
| 3        | Screw M6x45 DIN931        | 4        |
| 4        | Aluminium metal arrowhead | 4        |
| 5        | License support light     | 1        |
| 6        | Reflector                 | 1        |
| 7        | Support for reflector     | 1        |
| 8        | M5x10 ISO7380             | 2        |
| 9        | Nut M5 DIN6923            | 2        |
| 10       | Ziptides                  | 5        |



Puig provides the best in motorcycle license plate accessories equipment.