

**LICENSE SUPPORT ADAPTABLE TO KAWASAKI Z1000
10'-13' REF: 5317N**

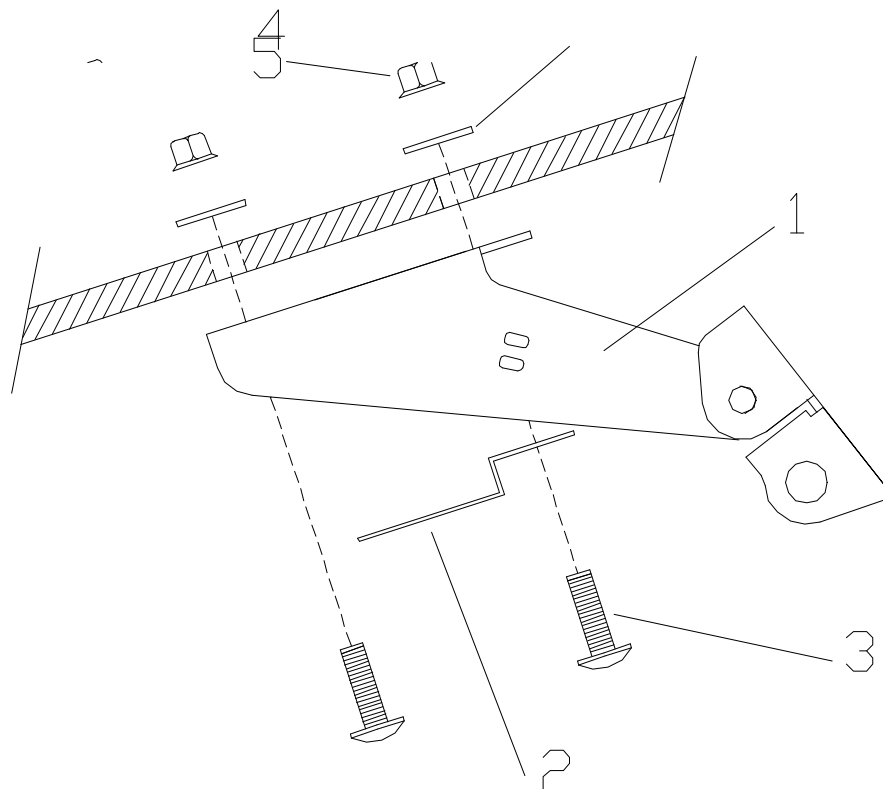


MOUNTING INSTRUCTIONS

- 1) Remove the original support.
- 2) Mount the support supplied (1) and the cap (2) with the M6 fasteners (3), the M6 nuts (5), and the M6 washers (4), as the figure below shows.
- 3) Six plastic ziptides are supplied to attach the blinkers bulks into the bracket.

Material supplied:

POSITION	DESCRIPTION	QUANTITY
1	<i>Stainless bracket</i>	1
2	<i>Electrical cables lid</i>	1
3	<i>Black M6x20 allen fasteners</i>	4
4	<i>DIN9021 M6 washers</i>	4
5	<i>M6 nuts DIN6923</i>	4
6	<i>Plastic ziptides 2.5X98</i>	6
7	<i>License support light</i>	1
8	<i>Reflector</i>	1
9	<i>Support for reflector</i>	1



Puig provides the best in motorcycle license plate accessories equipment.