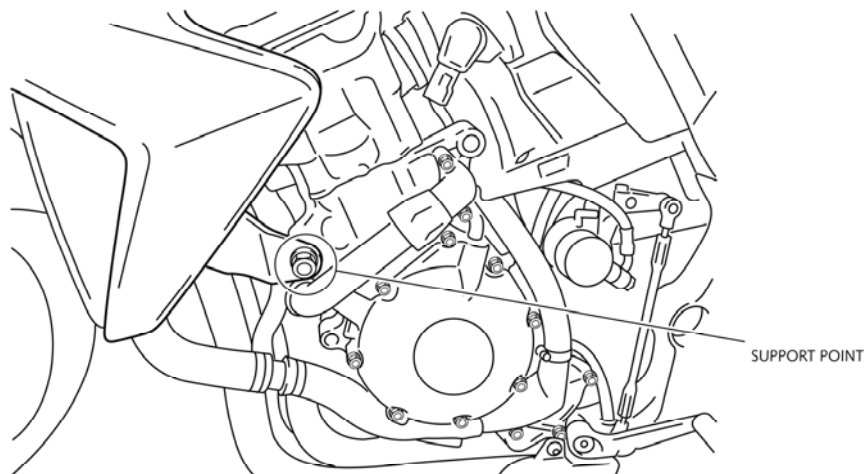


FRAME SLIDERS PRO ADAPTABLE TO HONDA CB1000R 08'- REF:5283N



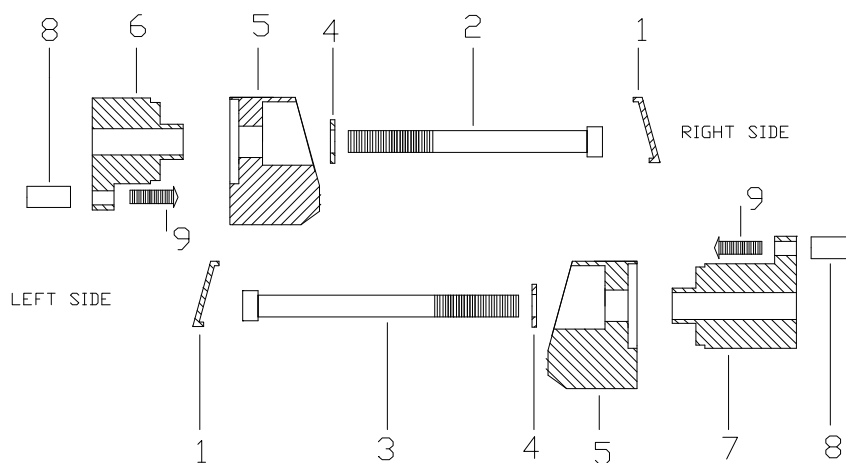
INSTRUCTIONS TO ASSEMBLE

Remove the fasteners that subject the chassis to the engine, on the point marked below (and the opposite side). Mount the protectors on each own side as the figure below shows. Tight the set, and place the caps.



MATERIAL SUMINISTRADO

POSITION	DESCRIPTION	QUANTITY
1	Caps set	2
2	M12/125X110 screw DIN912	1
3	M12/125X120 screw DIN912	1
4	∅20ext.∅12int x2 washer	2
5	Nylon protector set	2
6	Aluminium cylinder right side	1
7	Aluminium cylinder left side	1
8	Metallic cylinder	2
9	M6x20 screw DIN912	2



THE USE OF FRAME SLIDERS DO NOT GUARANTEE A FULL PROTECTION IN CASE OF ACCIDENT. MOTOPLASTIC-PUIG DECLINE ANY RESPONSIBILITY IN CASE OF MOTORCYCLE DAMAGE.

Learn more about motorcycle frame and body we have.