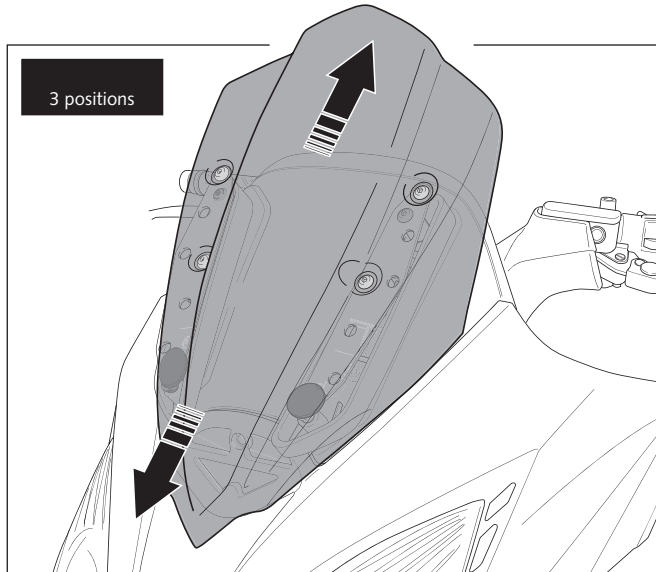
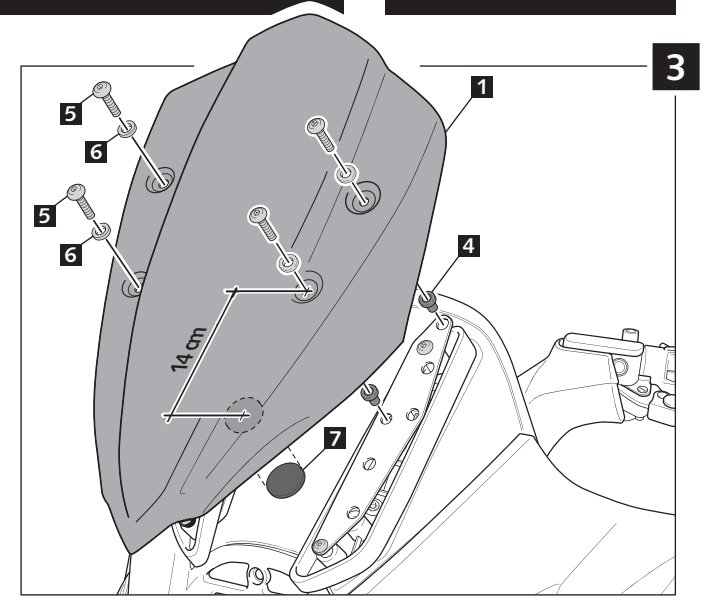
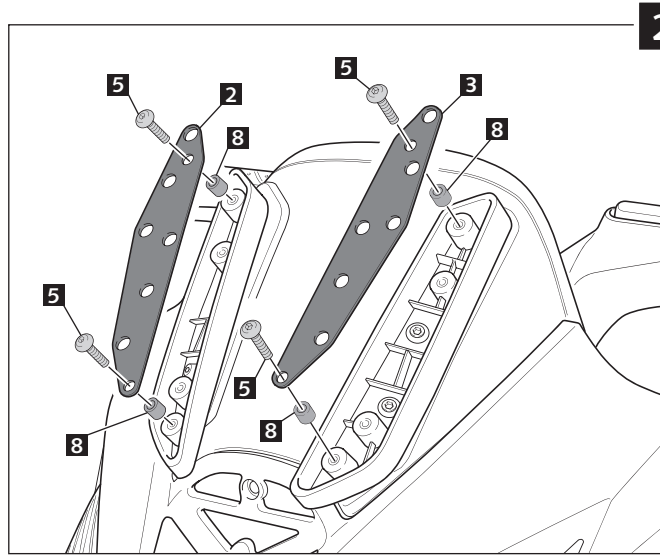
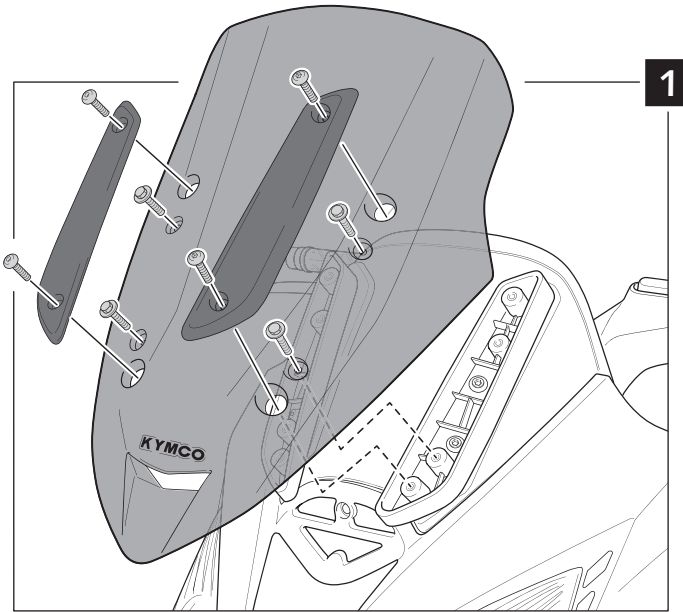










MOUNTING INSTRUCTIONS

SCREEN ADAPTABLE TO
KYMCO Xciting R 500i

Ref.: 5271



ID.	DESCRIPTION	QTY.
1	 Screen	1
2	 Right support	1
3	 Left support	1
4	 M6 well nut	4
5	 M6x15 screw ISO 7380	8
6	 Nylon washer M6	4
7	 Microporous adhesive Ø30x7 mm	2
8	 Arrowhead Ø outer 14 x Ø inner 8x7.5 mm	4