

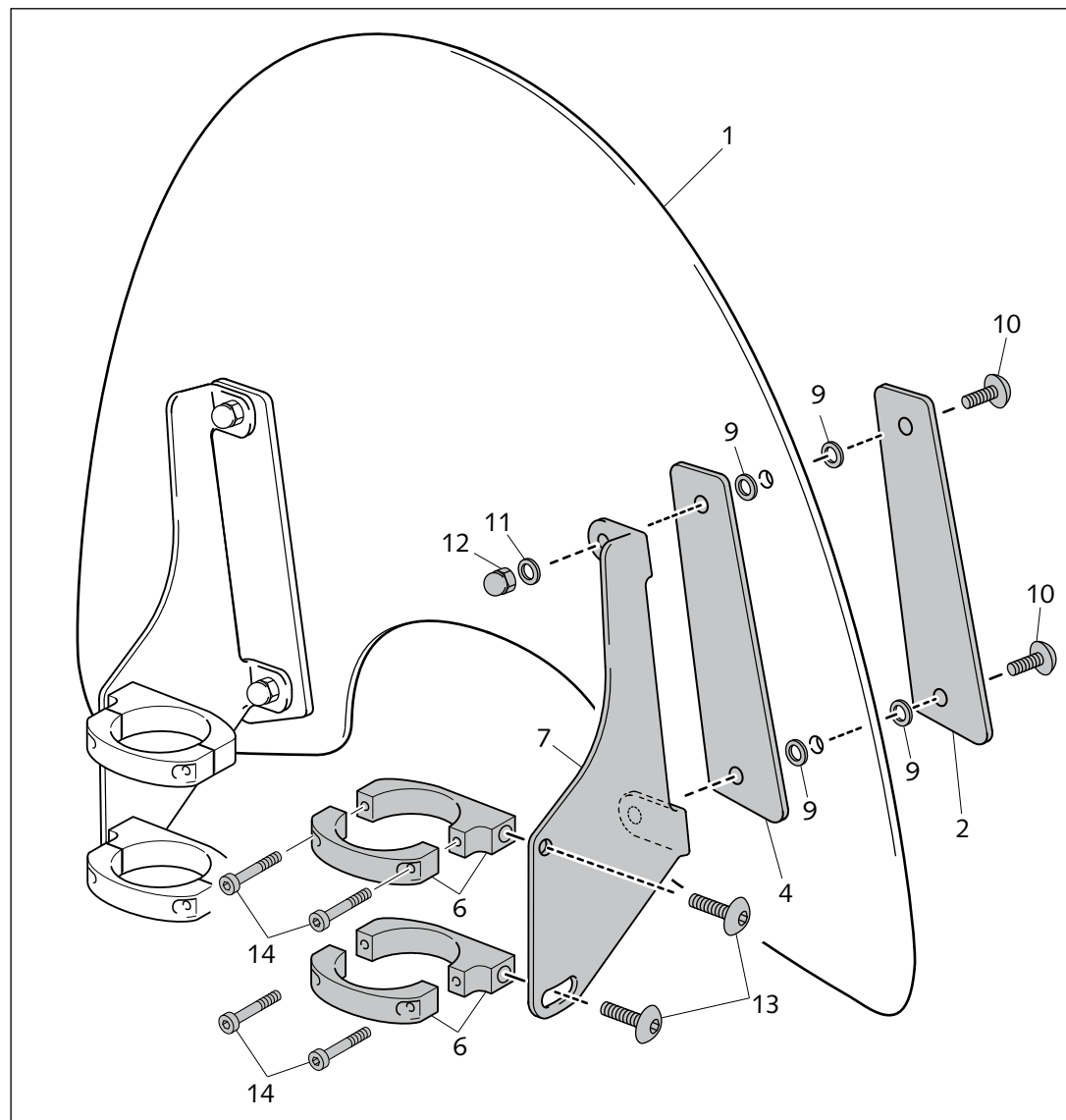


It would be convenient to re-tight the windshield screws, specially the ones that are fixed to the motorcycle, whenever you maintain the vehicle.
Thanks for your attention.

ID.	DESCRIPTION	QTY.
1	Windshield	1
2	Outer bracket right side	1
3	Outer bracket left side	1
4	Inner bracket right side	1
5	Inner bracket left side	1
6	Fork bridles	4
7	Lateral bracket right side	1
8	Lateral bracket left side	1
9	Plastic washer Ø6	8
10	M6x17 ISO7380 Ø14 INOX screw	4
11	Ø6 DIN125/A INOX flat washer	4
12	M6 DIN1587 INOX nut	4
13	M8x12 ISO7380 INOX screw	4
14	M6x25 DIN912 INOX screw	8

WINDSHIELD ADAPTABLE A
HONDA VT 1300CX '10-'13

Mod.: Sunset
Ref.: 5265 W





The windshield is delivered with all the components organized and mounted.

Steps to follow for its assembling to the motorcycle:

- 1- Dismount the bristles (6) from the set.
- 2- Mount the bridles as the figure shows, without pressing.
- 3- Mount the set →(screen plus lateral brackets 7 and 8) with the screws (10) without pressing.
- 4- Once the screen is centered, tight all the fasteners.

This assembling description can be used for both sides of the windshield.

MOUNTING INSTRUCTIONS

WINDSHIELD ADAPTABLE A
HONDA VT 1300CX '10-'13

Mod.: Sunset
Ref.: 5265 W

