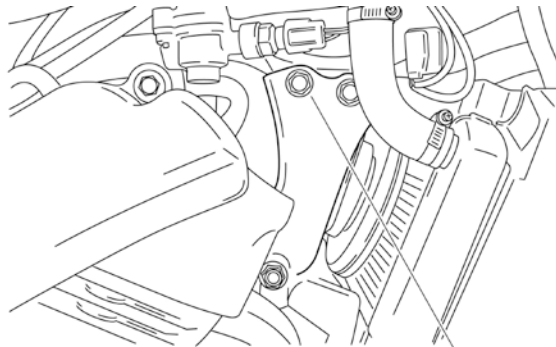


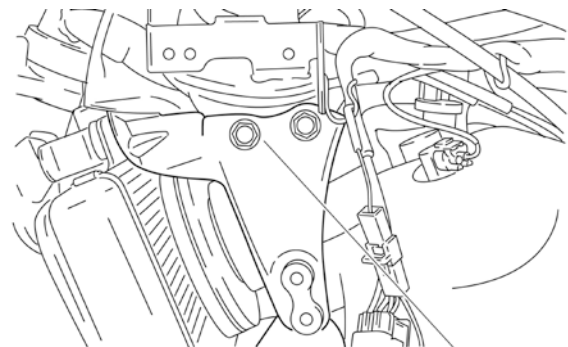
**CRASH PADS FOR KAWASAKI Z250R 08'-
REF:5170**



INSTRUCTIONS TO ASSEMBLE



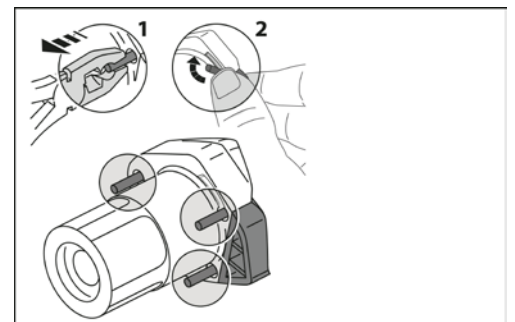
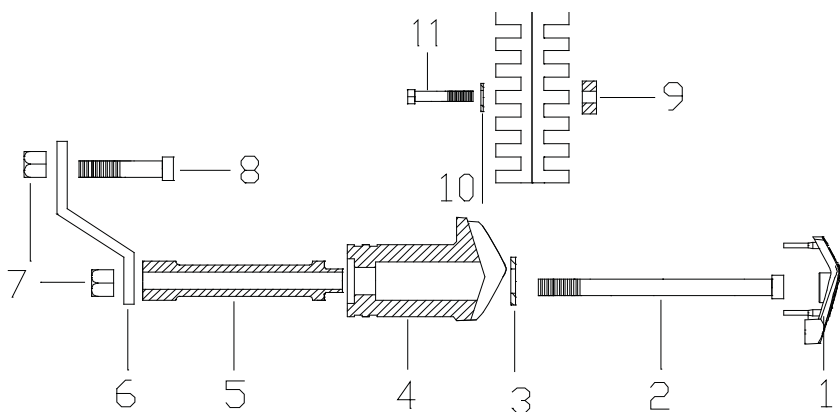
PUNTO DE FIJACIÓN
SUPPORT POINT



PUNTO DE FIJACIÓN
SUPPORT POINT

MATERIAL SUPPLIED

POSICIÓN	DENOMINACIÓN	CANTIDAD
1	Plastic caps	2
2	M10/150x140 screw	2
3	Ø20ext.Ø10int x2 washer	2
4	Nylon protector 85mm	2
5	Aluminium metal arrowhead	2
6	Iron Plate	2
7	M10/150 nut DIN 6923	6
8	M10/150 x50 screw	2
9	Aluminium metal arrowhead	2
10	Washer M6 DIN9021	4
11	M6x35 screw	2



RIGHT SIDE

LEFT SIDE

THE USE OF CRASH PADS DO NOT GUARANTEE A FULL PROTECTION IN CASE OF ACCIDENT. MOTOPLASTIC-PUIG DECLINE ANY RESPONSIBILITY IN CASE OF MOTORCYCLE DAMAGE.