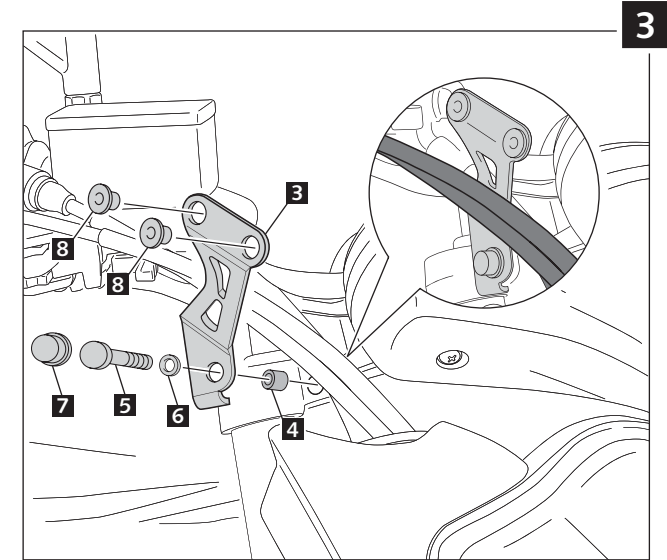
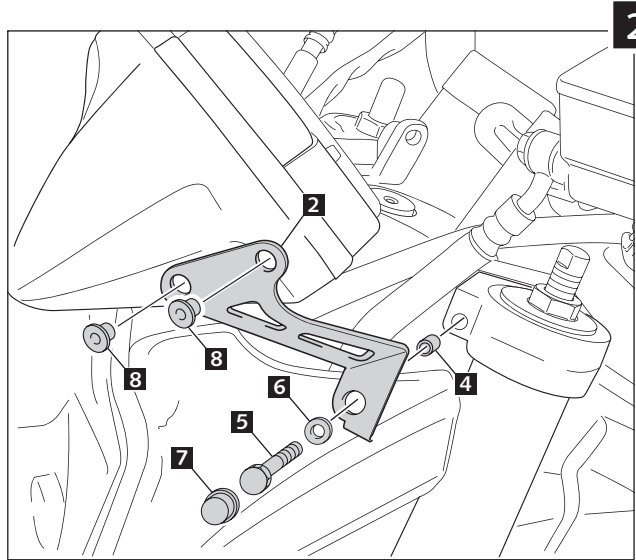
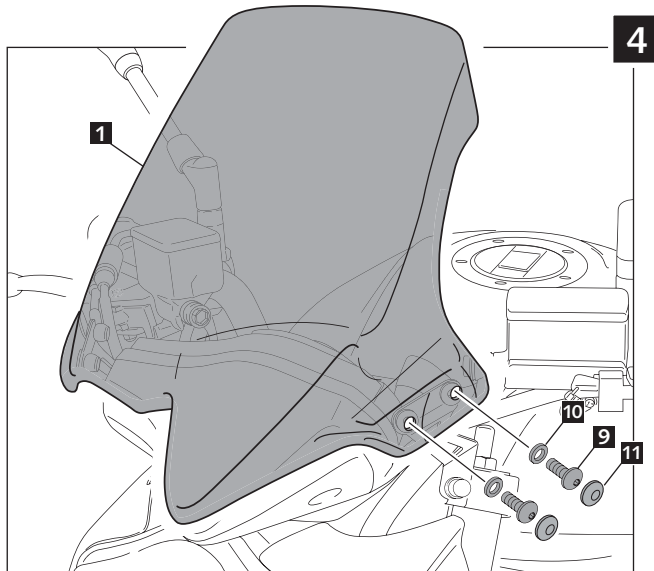
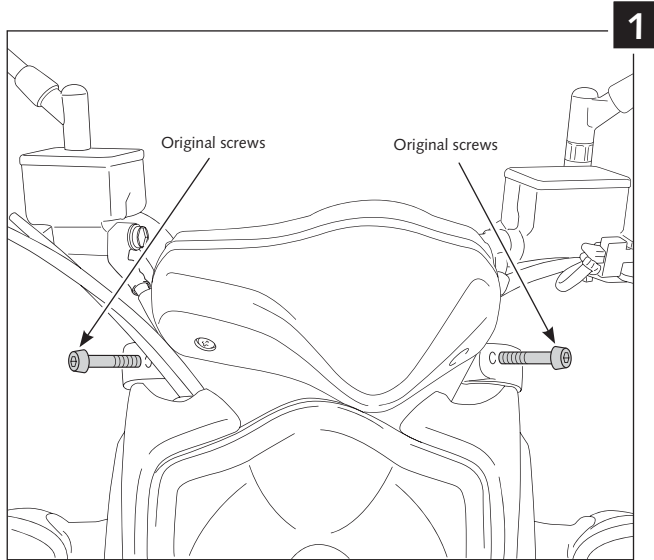


MOUNTING INSTRUCTIONS

WINDSHIELD ADAPTABLE TO
SUZUKI BANDIT
 GSF 650 '09-'11 - GSF 1250 '10-'13

Ref.: 5027



ID.		DESCRIPTION	QTY.
1		Screen	1
2		Left metal support	1
3		Right metal support	1
4		Arrowhead Øouter 14x Ø inner. 8x7.5	2
5		M8x45 DIN 931 hexagonal screw	2
6		M8 washer	2
7		M8 nut cover	2
8		Silblock with M5 nut (supplied already mounted on the piece n° 2/3)	4
9		M5x16 ISO 7380 Allen screw	4
10		Ø5 nylon washer	4
11		M5 ISO 7380 Screw cap	4