

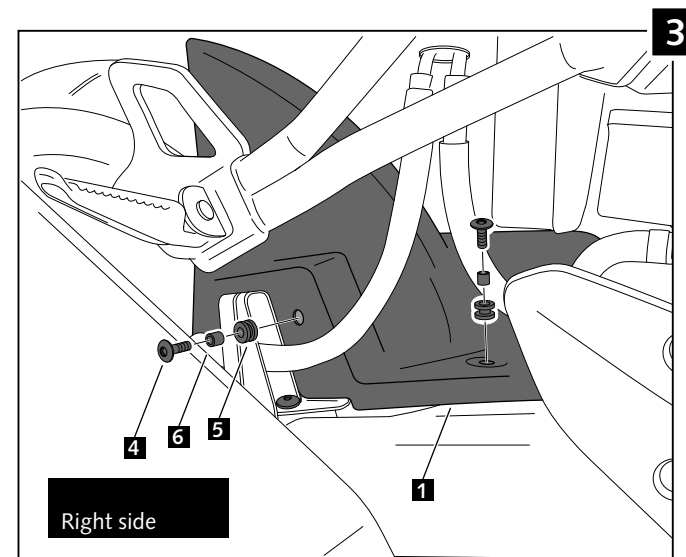
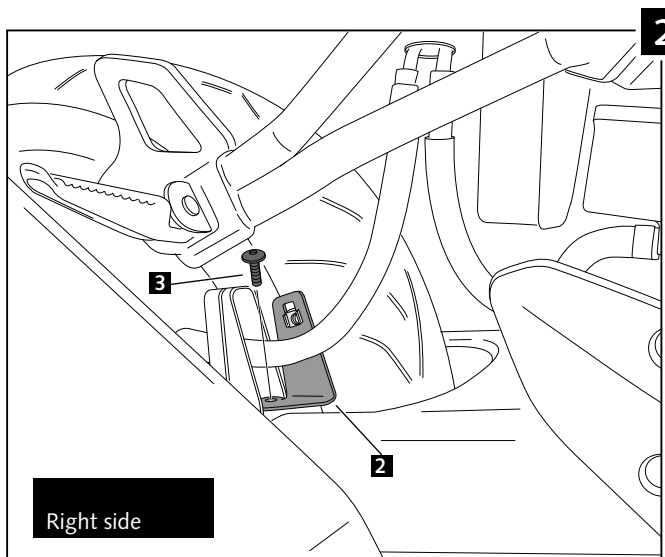
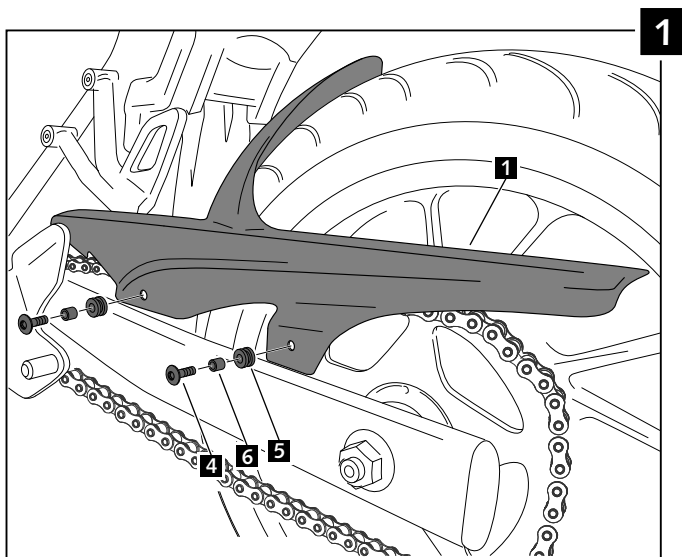
MOUNTING INSTRUCTIONS

REAR MUDGUARD ADAPTABLE TO

SUZUKI

SFV650 GLADIUS '09-'15
SV650 '16-'19
SV650X '18-

Ref.: 5019



It would be convenient to re-tight the chain cover screws, specially the ones that are fixed to the motorcycle, whenever you maintain the vehicle.

Thanks for your attention.

ID.	DESCRIPTION	REF.	QTY.
1	Rear mudguard	5019	1
2	Ironwork with M6 caged nut	SOPORT53-1-0727	1
3	M6x20 DIN1001 screw (black)	TORNI-I7380-404	1
4	M6x15 DIN1001 screw (black)	TORNI-I7380-403	5
5	Silentblock	SILENBGONE--064	5
6	Metallic spacer	CASQUI-----0046	5