

**LICENSE SUPPORT ADAPTABLE TO
DUCATI MONSTER 796 (10-11') 1100/1100S
(09-11')**

REF:4979N



INSTRUCTIONS TO ASSEMBLE

- 1- *Dismount the control engine of the exhaust valve (F). In order to do so, first you need to remove the cable E off the exhaust valve (see figure 1). Next, remove the fasteners (H/J) that tight the control engine and take out the set (see figure 2).*
- 2- *Dismount the original license support removing the 4 screws (5) that subjects it from the interior part. Remove as well the rear light (7) and the seat lock kit (9/12).*
- 3- *Mount the rear light (7) on the license support supplied (1) using the original fasteners (6). Mount the lock kit (9) as the figure 3 shows.*
- 4- *Before tightening the license support, tight the close up (12) with the original fasteners, placing the cable (10) as the figure 3 shows. Next, place the license support on the original pivots (13) and tight it with the original fasteners (5) and washers (4), placing the cylinders (3) in between as the figure 3 shows.*
- 5- *Mount the engine of the exhaust valve, previously connecting the cable of the valve through the drill (11).*
- 6- *It is supplied 3 ziptides to tight the cable of the rear light in the slots (8) to ensure the rest of the cables inside the interior box set by the license support.*

Material supplied to assemble the license support:

POSICIÓN	DENOMINACIÓN	CANTIDAD
1	Black support	1
3	Aluminium cylinder Ø18 x 5	4
8	Plastic ziptides	4
13	Reflector	1
14	Support for reflector	1
15	M5x10 fastener ISO7380	2
16	M5 nut DIN6923	2
17	License light	1

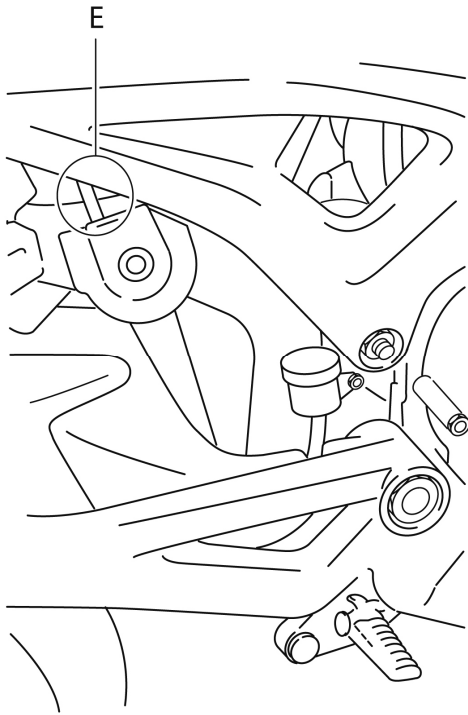


FIGURE 1

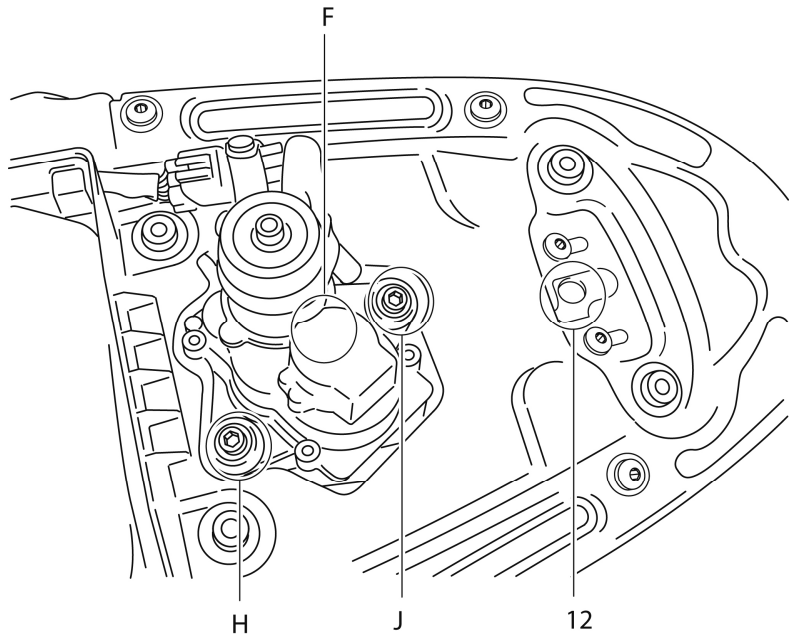


FIGURE 2

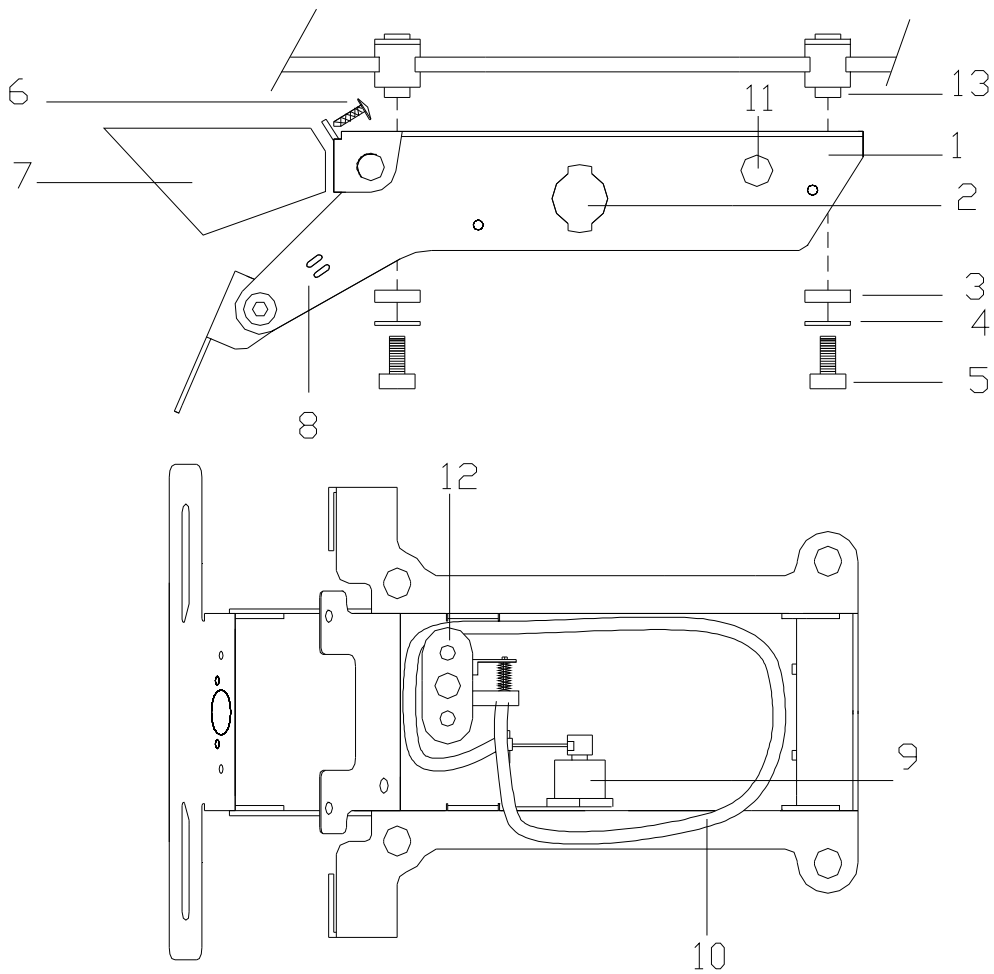


FIGURE 3