

**LICENSE SUPPORT ADAPTABLE TO KAWASAKI ER6N/F 09'-11'**  
**REF: 4976N**

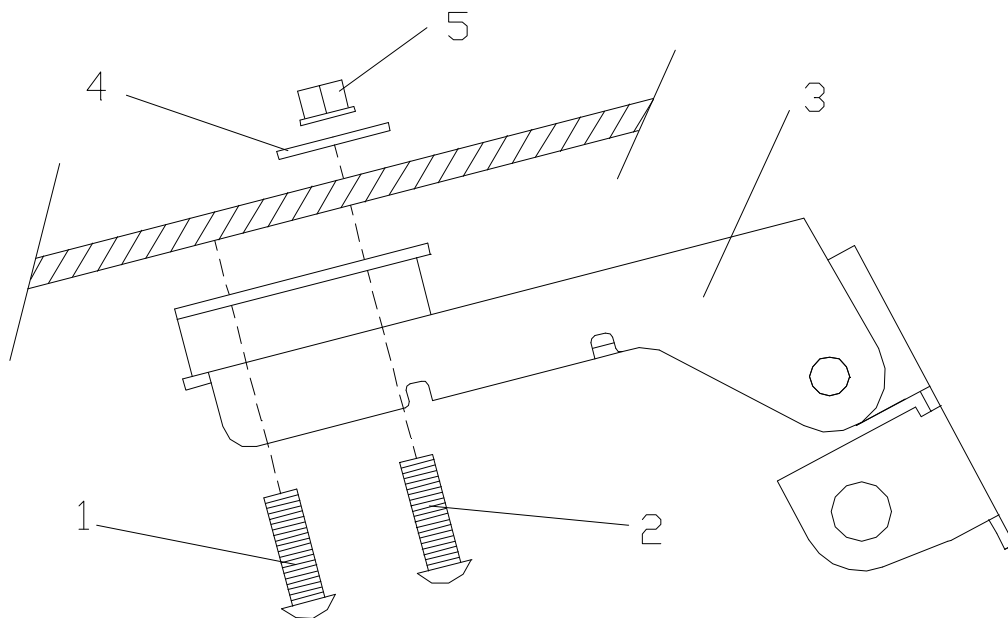


**IMOUNTING INSTRUCTIONS**

- 1) Dismount the original support.
- 2) Mount the support supplied (2) with the M6 fasteners (1/2), the M6 nuts (5), and the M6 washers (4), as the figure below shows.
- 3) It is supplied 3 plastic ziptides to attach the blinkers bulks into the bracket.

Material supplied:

<b>POSITION</b>	<b>DESCRIPTION</b>	<b>QUANTITY</b>
1	<i>M6x15 allen fasteners</i>	2
2	<i>M6x20 allen fasteners</i>	2
3	<i>Stainless bracket</i>	1
4	<i>DIN9021 M6 washers</i>	2
5	<i>M6 nuts</i>	2
6	<i>Plastic ziptides</i>	3
7	<i>License support light</i>	1
8	<i>Reflector</i>	1
9	<i>Support reflector</i>	1



Puig provides the best in motorcycle license plate accessories equipment.