

LICENSE SUPPORT ADAPTABLE TO YAMAHA R1 09'-14'
REF. 4971N



INSTRUCTIONS TO ASSEMBLE

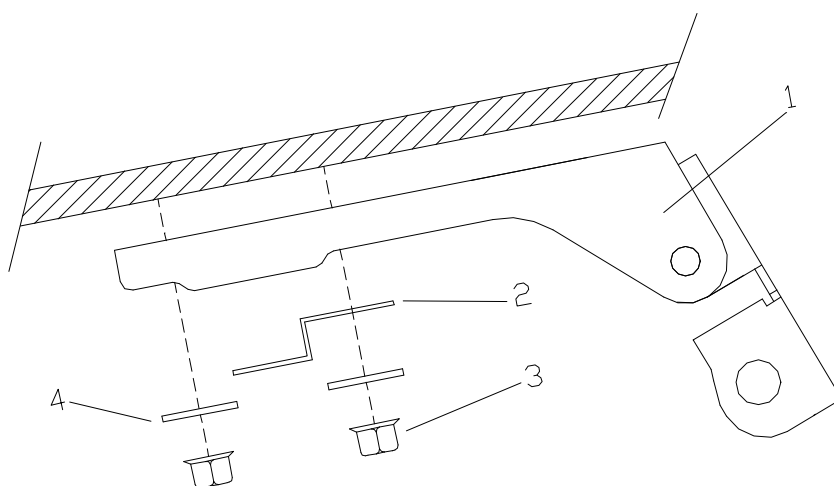
1-Dismount the original license support.

2-Five ziptides are supplied in order to guide the electric installation in the slots of the support. It is recommended to do this before mounting the license support.

3- Mount the support using the original fasteners with the M6 washers (4) and M6 nuts (3), placing the cap (2) as the figure shows.

Material supplied to assemble the license support:

POS	DESCRIPTION	QUANTITY
1	Stainless bracket	1
2	Metallic plate	1
3	M6 locknut DIN6923	3
4	M6 washer DIN9021	3
5	Plastic ziptide	5
6	License support light	1
7	Reflector	1
8	Support for reflector	1
9	M5x10 ISO7380	2
10	Nut M5 DIN6923	2



Puig provides the best in motorcycle license plate accessories equipment.