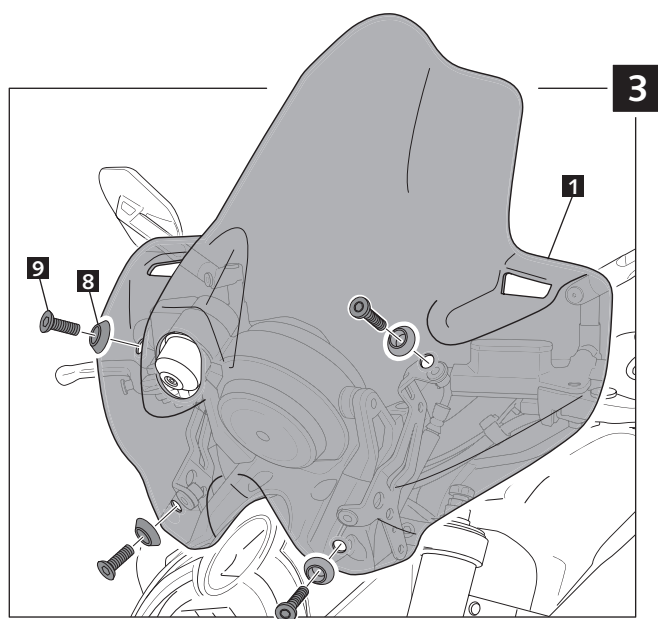
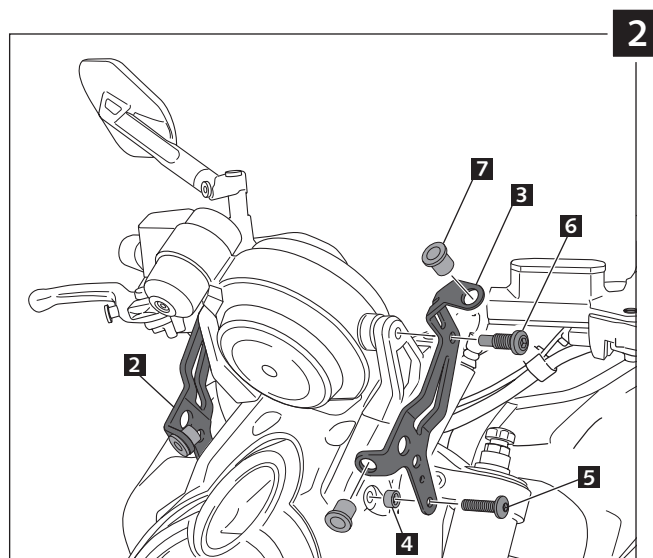
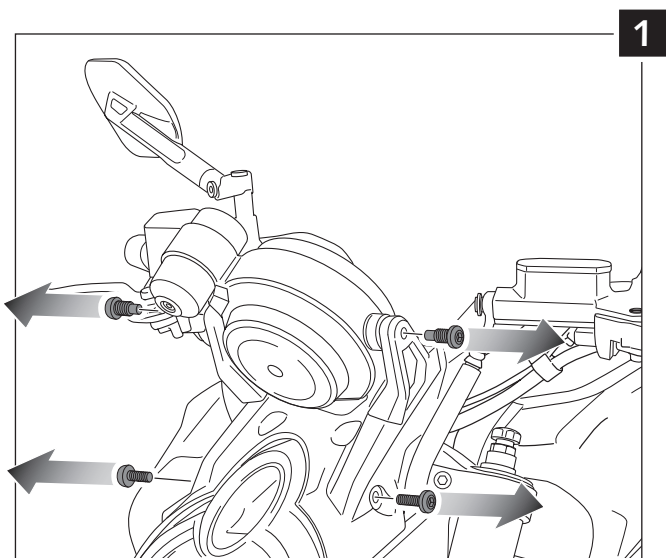


MOUNTING INSTRUCTIONS

WINDSHIELDS ADAPTABLE TO
YAMAHA VMAX 1700

Ref.: 4952



ID.		DESCRIPTION	QTY.
1		Screen	1
2		Right support	1
3		Left support	1
4		Metal arrowhead Ø ext. 14 x Ø int. 8.5x3.5	2
5		M6x25 ISO 7380 Screw Inox Allen	2
6		Allen Inox special M8x25 screw with cylinder ending Ø 6,2x8mm long	2
7		M6 well nut (supplied fitted to part N°. 2-3)	4
8		Conical plastic washer	4
9		Conical head Allen screw M6x22	4

TIPS FOR A CORRECT WINDSCREEN ASSEMBLY

Due to storage and transport processes of the windscreens, which are subjected to positions and temperature changes out of our control, this may produce small deformations on the material causing some difficulties on the mounting process. It is recommended to:

- 1- Place the screws on one side without tighten all the way.
- 2- Stretch the windscreen to the other side (see Fig. 1). The flexibility of the material allows this stretch with no risk of breaking or cracking.
- 3- Place the screws without tightening all the way.
- 4- Tighten progressively all the screws.

