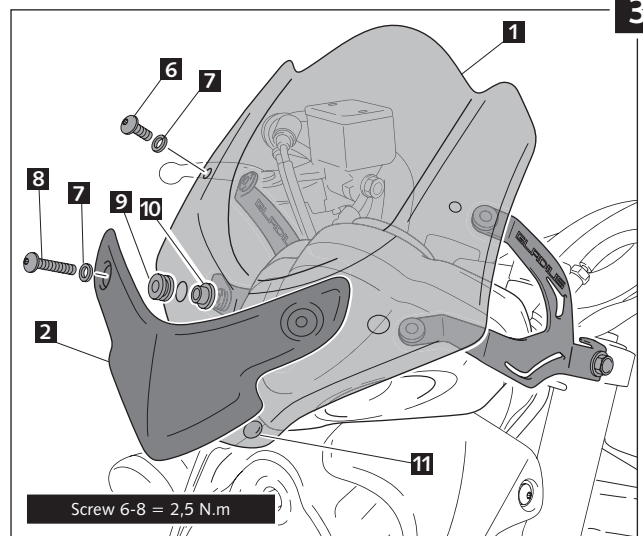
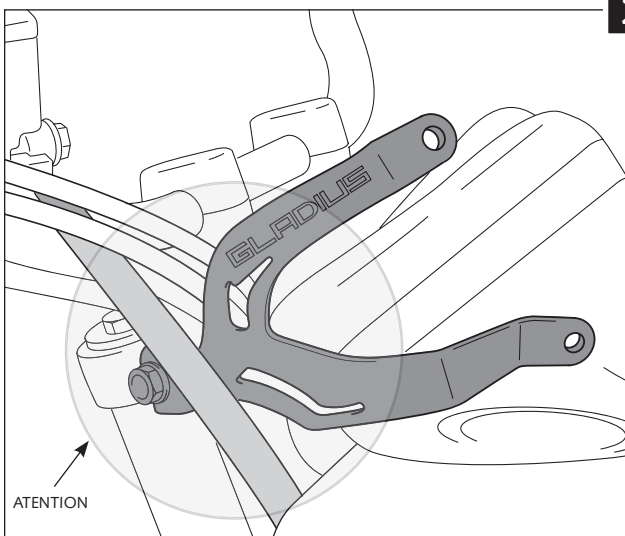
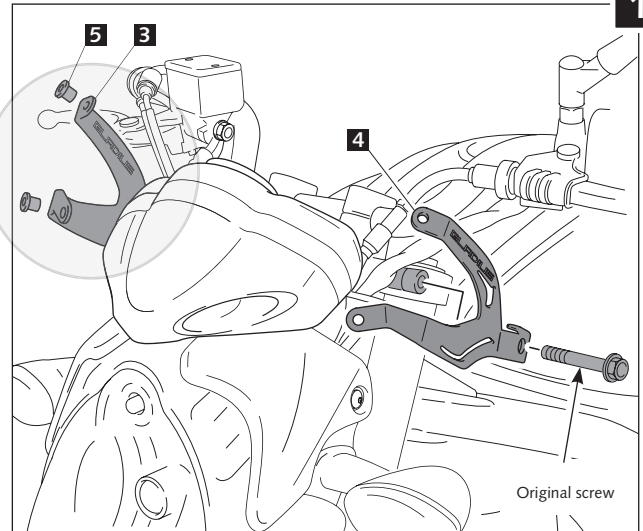


MOUNTING INSTRUCTIONS

WINDSHIELD ADAPTABLE TO
SUZUKI SFV650 GLADIUS /ABS

Ref.: 4951



ID.		DESCRIPTION	QTY.
1		Screen	1
2		Reveal moulding	1
3		Right metal support	1
4		Left metal support	1
5		Silemblock with M5 nut	4
6		M5x16 ISO 7380 allen screw	2
7		Ø5xØ11x1 nylon washer	4
8		M5x25 ISO 7380 allen screw	2
9		Silemblock (*)	2
10		Arrowhead Ø inner 8 x Ø outer 14x9 (*)	2
11		Ø8 silicone delimiter	2

(*) Supplied fitted to Part No.1

TIPS FOR A CORRECT WINDSCREEN ASSEMBLY

Due to storage and transport processes of the windscreens, which are subjected to positions and temperature changes out of our control, this may produce small deformations on the material causing some difficulties on the mounting process. It is recommended to:

- 1- Place the screws on one side without tighten all the way.
- 2- Stretch the windscreen to the other side (see Fig. 1). The flexibility of the material allows this stretch with no risk of breaking or cracking.
- 3- Place the screws without tightening all the way.
- 4- Tighten progressively all the screws.

