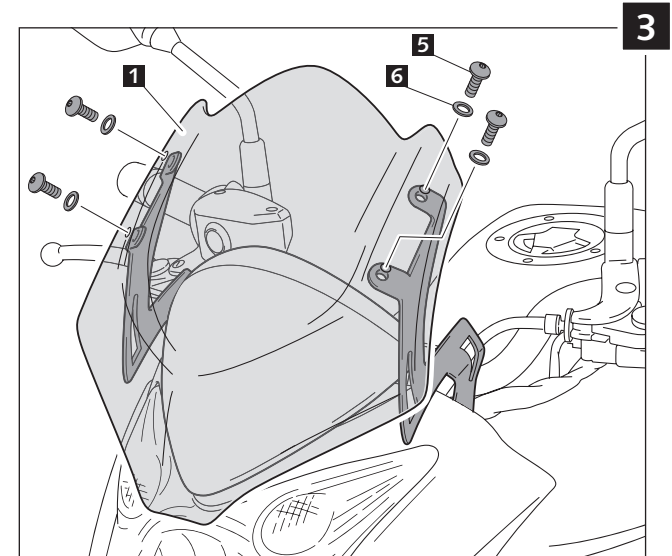
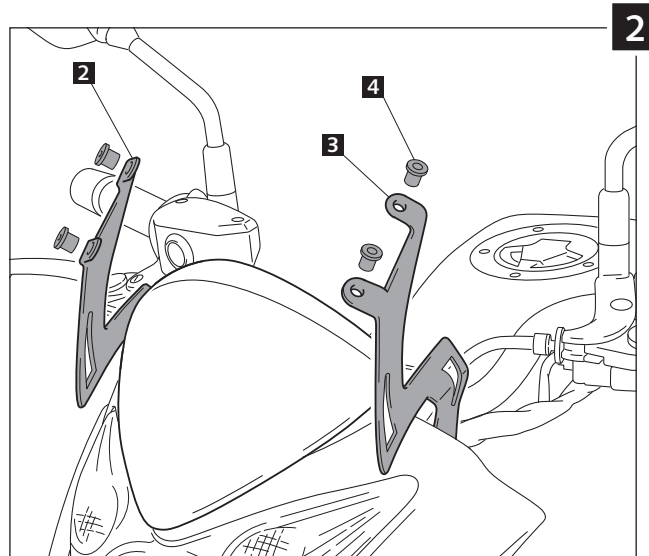
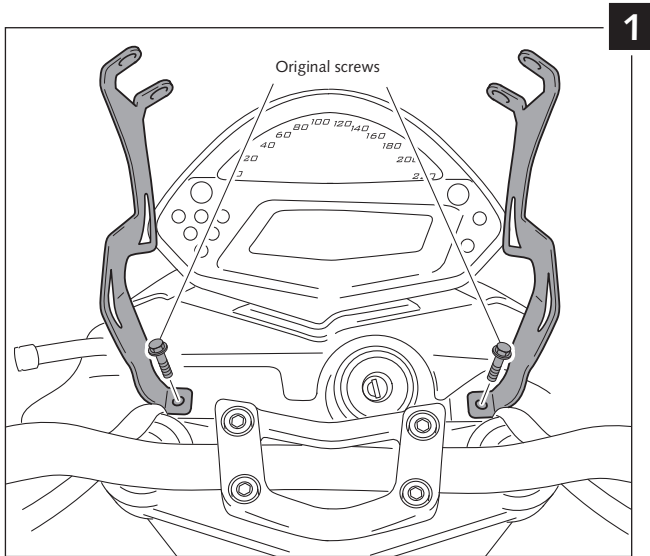








MOUNTING INSTRUCTIONS

WINDSHIELD ADAPTABLE TO
 KAWASAKI ER6N 09' - 11'

Ref.: 4950



ID.		DESCRIPTION	QTY.
1		Screen	1
2		Right metal support	1
3		Left metal support	1
4		M5 nut well nut	4
5		M5x16 ISO 7380 allen screw	4
6		Ø5XØ11x1 nylon washer	4