

REF: 4902

**INSTRUCTIONS TO ASSEMBLE**

- 1- In order to mount the rear hugger, it is needed to mount previously the hardware supplied. On the right side, remove the nut that tightens the shock-absorber to the swing arm, and insert the hardware (3) as the figure 1 shows. Tight the nut leaving the hardware rest on the swing arm.
- 2- On the other side, remove the chain guide that is on the interior part of the swing arm. Next, place the cylinder (7) in the guide's inferior and tight the hardware (4) with the screw (6) and washer (9) supplied as the figure 2 shows. The edge of the hardware should rest on the swing arm as the figure 2 shows. In order to do this, it is recommended to take out the chain and put back the wheel to ease the access to the area.
- 3- Tight the rear hugger to the hardware using the M6x20 screws supplied. Adjust it through the regulation that the nuts offer inserted to the hardware.
- 4- Check them periodically, and tighten the fixations.
- 5- In case your motorcycle has other accessories, observe that it does not interfere with the hugger.

Material supplied to assemble the hugger:

POSITION	DESCRIPTION	QTY
1	M6 unside nuts	3
3	Hardware right side	1
4	Hardware left side	1
6	Silver M5x25 screw DIN1001	1
7	Aluminium cylinder	1
9	M5 washer DIN9021	1
	Black M6x20 screw DIN1001	3
	Well nuts	3

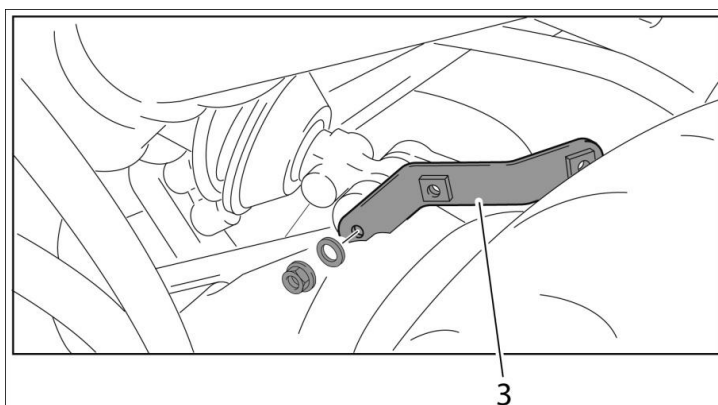


FIGURE 1

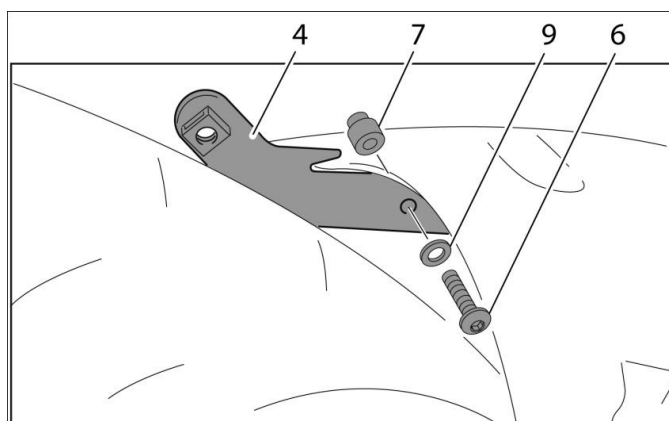


FIGURE 2