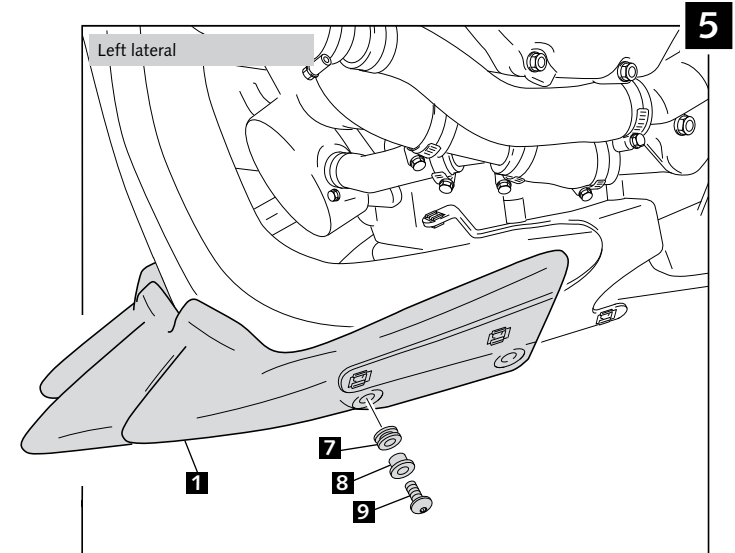
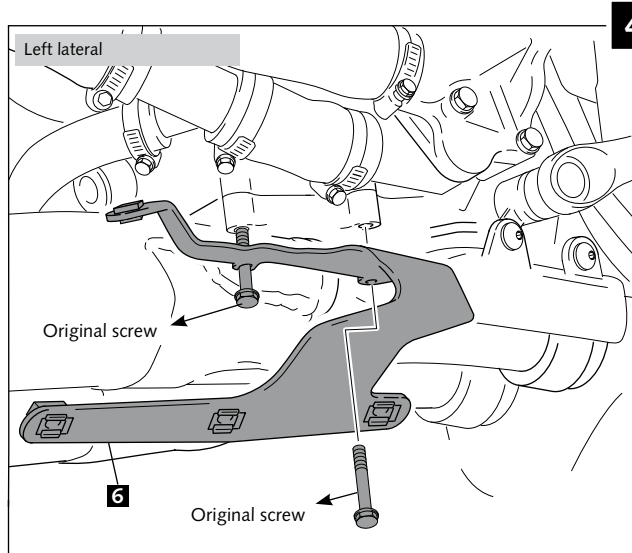
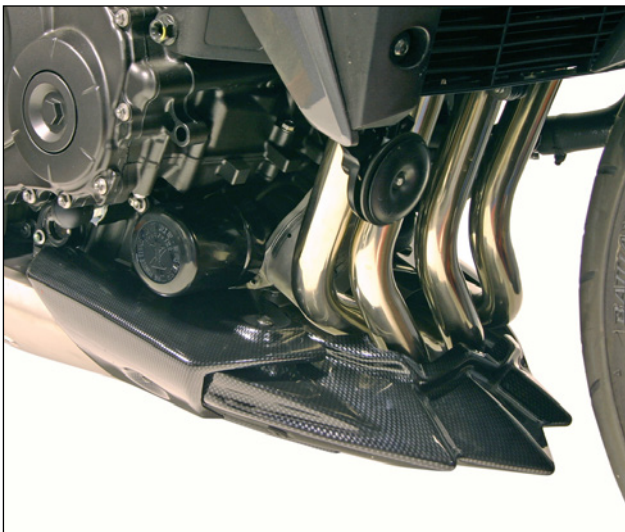
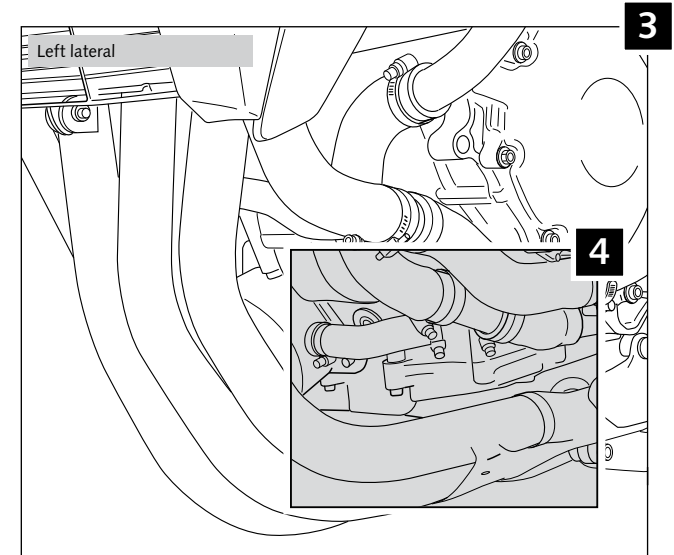
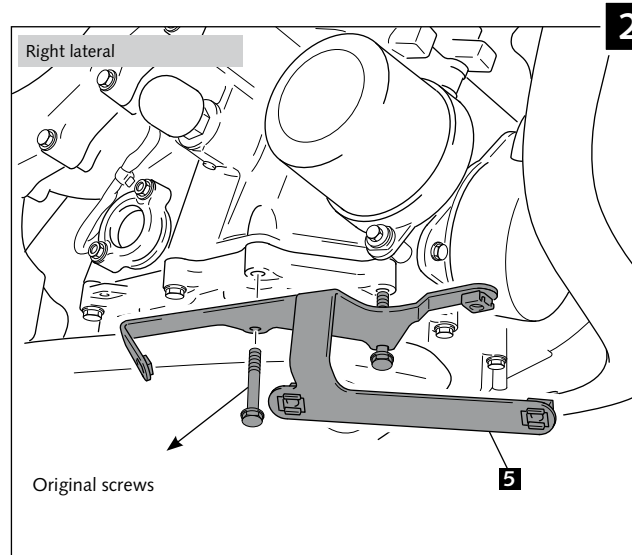
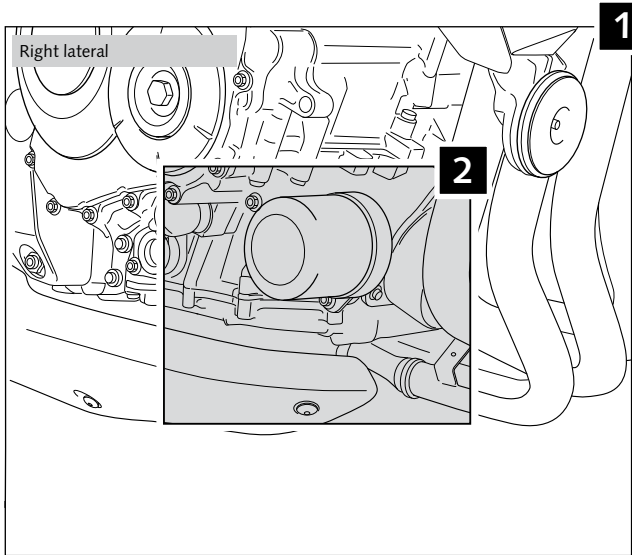
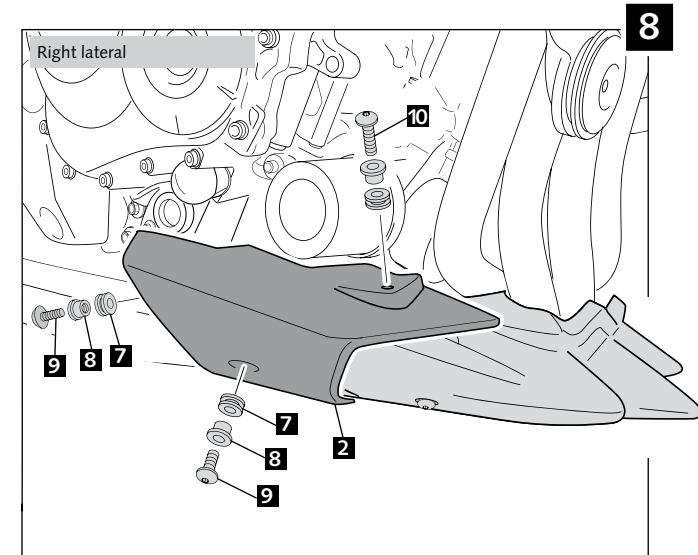
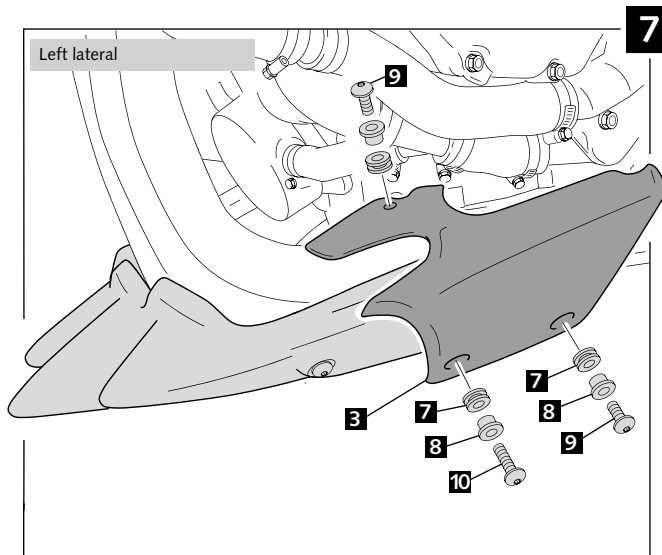
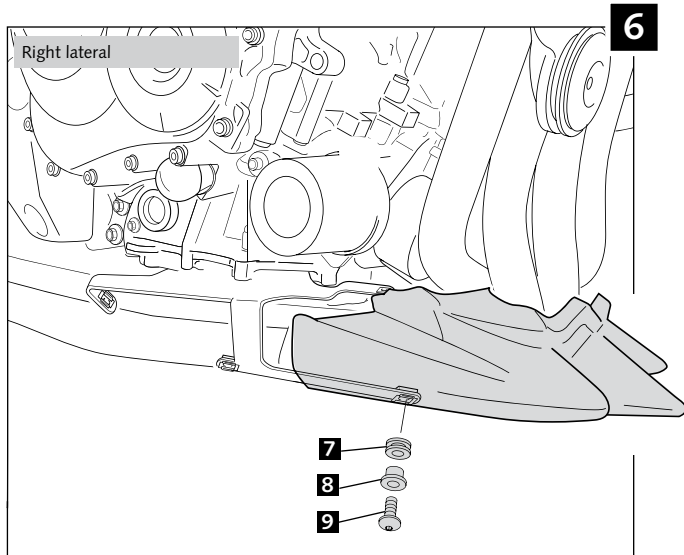


MOUNTING INSTRUCTIONS

ENGINE SPOILER ADAPTABLE TO **HONDA**
CB1000R

Ref.: 4696J
 (black colour)
 Ref.: 4696C
 (carbón look)

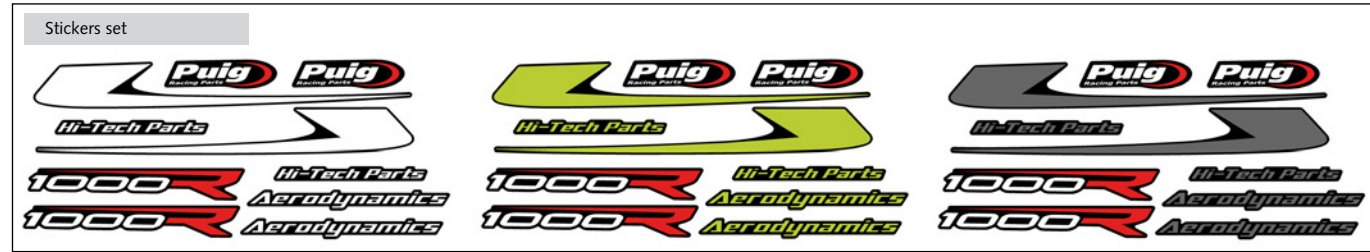




Detalle-Detail



Detalle-Detail



ID.		DESCRIPTION	QTY.
1		Central engine spoiler	1
2		Right engine spoiler	1
3		Left engine spoiler	1
4		Heat protection shield (supplied fitted to inside part No.3)	1
5		Right metal support	1
6		Left metal support	1
7		Well nut (supplied already mounted on the piece n°1-2-3)	10
8		Bush with flange (supplied already mounted on the piece n°1-2-3)	10
9		M6x15 allen screw DIN 1001	6
10		M6x25 allen screw DIN 1001	2
11		Stickers set	1