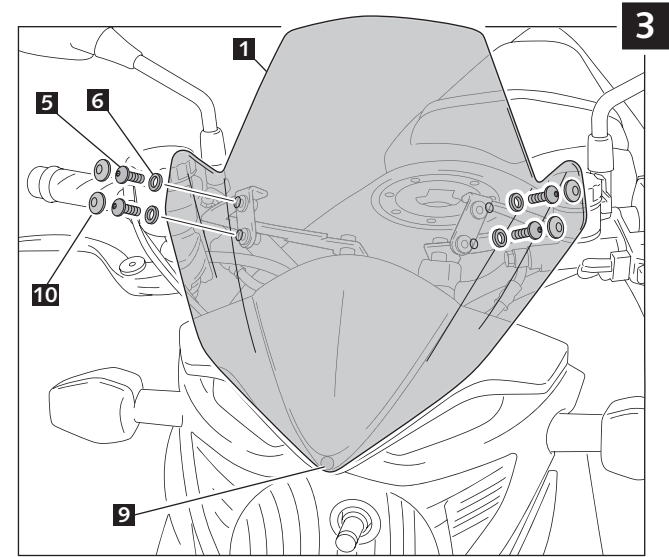
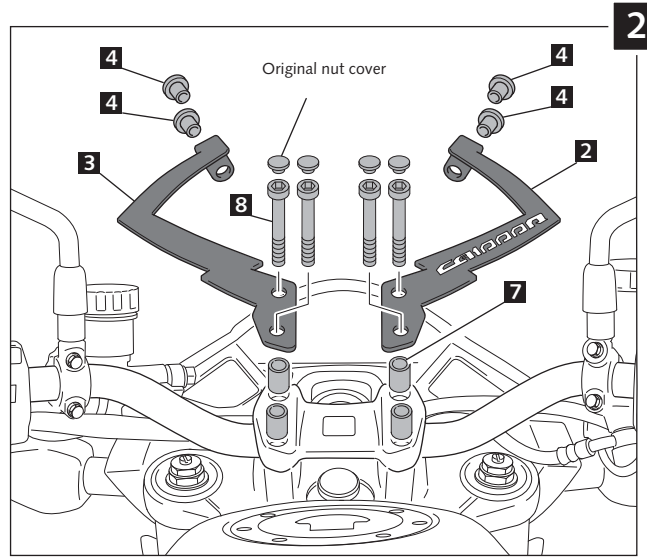
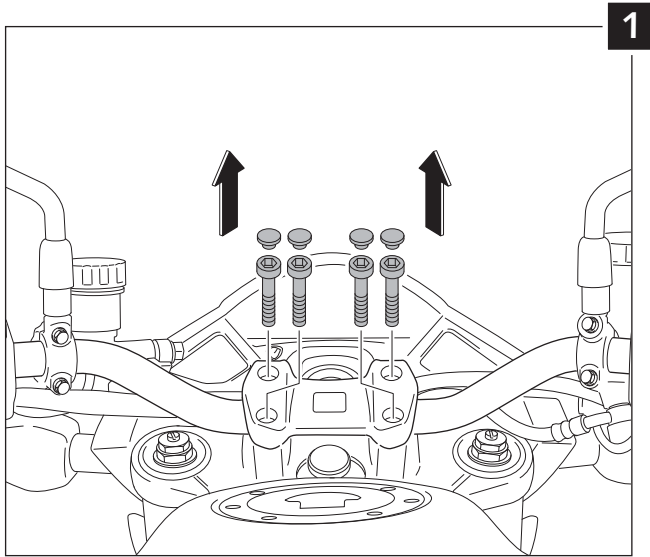


MOUNTING INSTRUCTIONS

WINDSHIELD ADAPTABLE TO
 HONDA CB1000R 08'-10'

Ref.: 4673



ID.		DESCRIPTION	QTY.
1		Screen	1
2		Right metal support	1
3		Left metal support	1
4		M5 well nut (supplied already mounted on the piece n°2-3)	4
5		M5x16 ISO 7380 allen screw	4
6		Ø5XØ11x1 nylon washer	4
7		Arrowhead Ø outer 14 x Ø inner 8,5x18	4
8		M8x50 DIN 912 allen screw	4
9		Ø12,7x3,5 silicone delimiter	1
10		M5 DIN 7380 screw cap	4