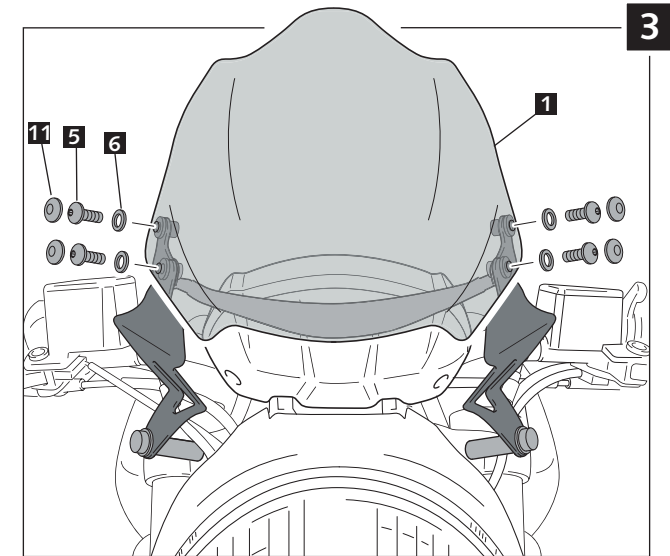
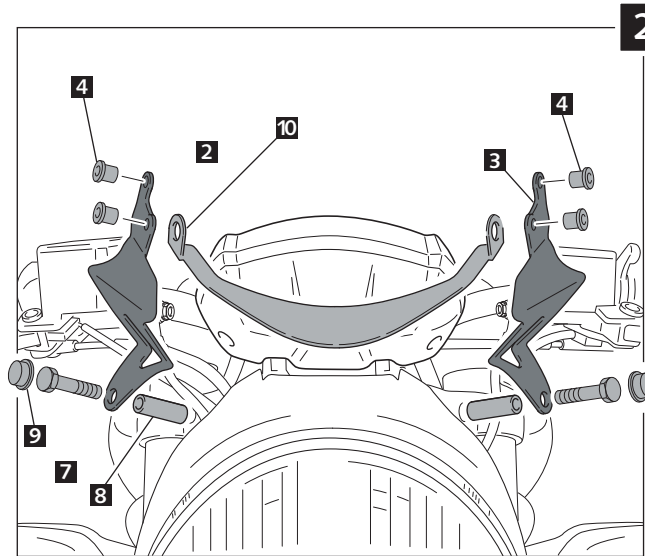
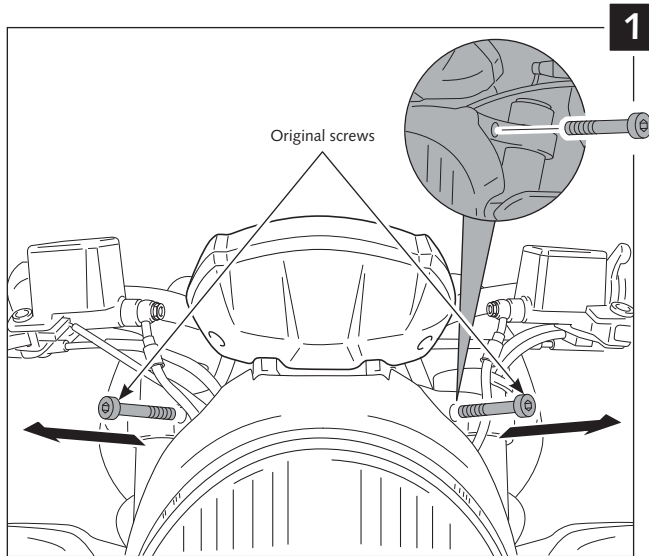


DUCATI MONSTER 696 - 796 - 1100

Ref.: 4672



| ID. | | DESCRIPTION | QTY. |
|-----|--|---|------|
| 1 | | Screen | 1 |
| 2 | | Right metal support | 1 |
| 3 | | Left metal support | 1 |
| 4 | | M5 well nut (supplied already mounted on the piece n°2) | 4 |
| 5 | | M5x16 ISO 7380 allen screw | 4 |
| 6 | | Ø5XØ11x1 nylon washer | 4 |
| 7 | | M8x60 DIN 931 hexagonal screw | 2 |
| 8 | | Arrowhead Ø inner 9 x Ø outer 13x31 | 2 |
| 9 | | M8 nut cover | 2 |
| 10 | | Deflector to avoid headlight reflection | 1 |
| 11 | | M5 ISO 7380 Screw cap | 4 |

TIPS FOR A CORRECT WINDSCREEN ASSEMBLY

Due to storage and transport processes of the windscreens, which are subjected to positions and temperature changes out of our control, this may produce small deformations on the material causing some difficulties on the mounting process. It is recommended to:

- 1- Place the screws on one side without tighten all the way.
- 2- Stretch the windscreen to the other side (see Fig. 1). The flexibility of the material allows this stretch with no risk of breaking or cracking.
- 3- Place the screws without tightening all the way.
- 4- Tighten progressively all the screws.

