

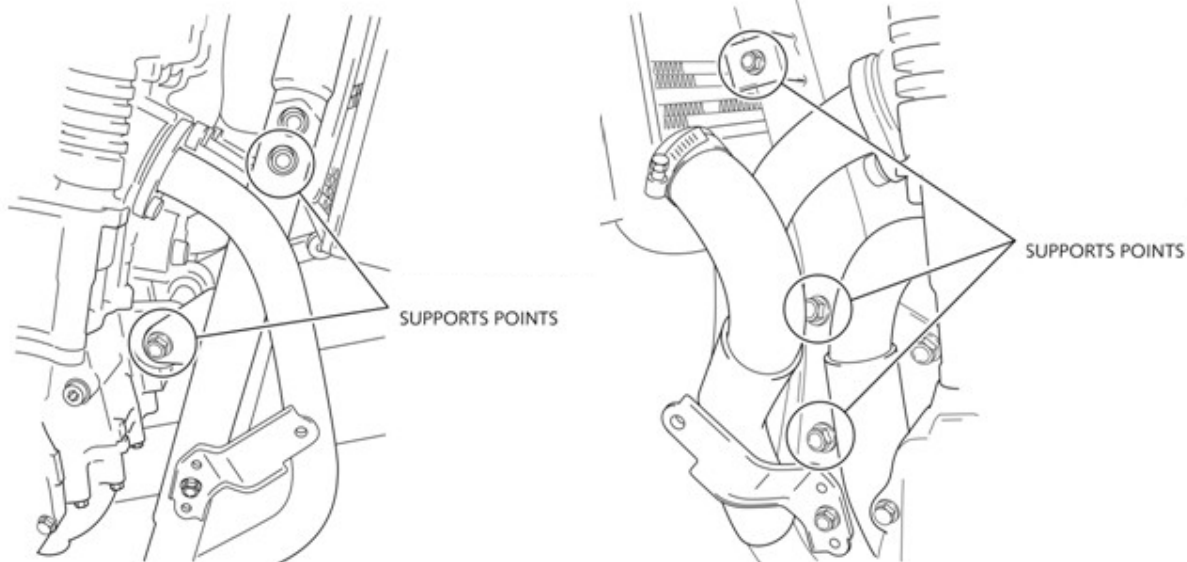
CRASH PADS ADAPTABLE TO SUZUKI GSX650F 08'-15'

REF: 4654



INSTRUCTIONS TO ASSAMBLE

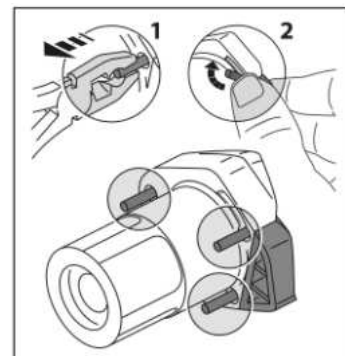
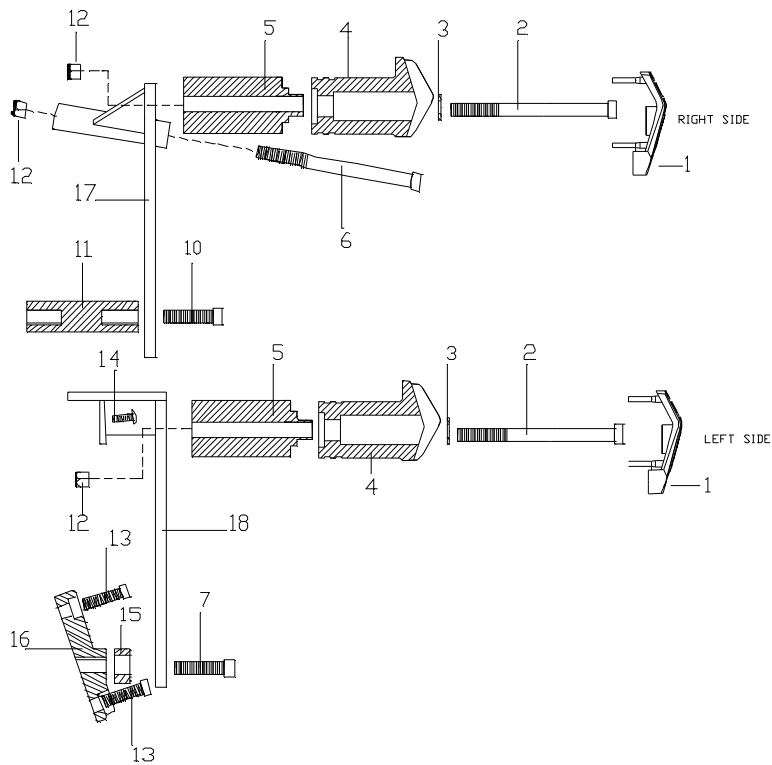
Remove bodyworks side panels. Next,remove the screws that fasten the frame on the points marked on the pic below (and opposite side). Mount the crash pads on each own side as the figure shows, using the screws thst are supplied. Once pressed, place the caps (1) tightiing them with the fasteners (8) and place the stickers (9) pressing for a few seconds for a correct positioning. Finally, mount the bodyworks side panels.



If you are not a trained mechanic, please contact a specialist for assembling the crash pads. Motoplasic,S.A. takes no responsibility for damages caused by improper installation. The using of crash pads does not guarantee a full protection in case of accident.

MATERIAL SUPPLIED

POSITION	DESCRIPTION	QUANTITY
1	Plastic caps	2
2	M10/150x110 screw DIN912	2
3	Ø20ext.Ø10int x2 DIN125/A washer	2
4	Nylon protector	2
5	Aluminium metal arrowhead	2
6	M10/150x120 screw DIN912	1
7	M10/150x35 screw DIN912	1
8	DIN7505 2,5x10 screw	2
9	Sticker	2
10	M10/150x25 screw DIN912	1
11	Metallic cylinder right side black colour	1
12	M10/150 DIN985 Nut	3
13	M8x30 screw DIN912	2
14	M6x15 screw DIN1001 black colour	1
15	Aluminium metal arrowhead left hand side	1
16	Aluminium cylinder left side	1
17	Metallic off set right side black colour	2
18	Metallic off set left side black colour	2



If you are not a trained mechanic, please contact a specialist for assembling the crash pads. Motoplastic, S.A. takes no responsibility for damages caused by improper installation. The using of crash pads does not guarantee a full protection in case of accident.

Learn more about motorcycle frame and body we have.