

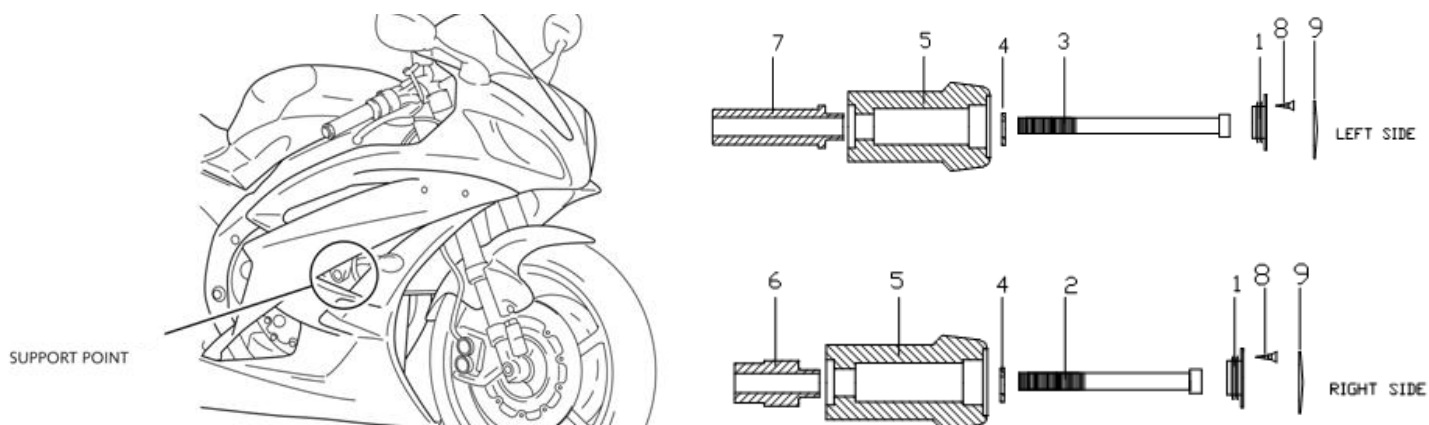
CRASH PADS ADAPTABLE TO YAMAHA R6 08'-14'

REF: 4650



INSTRUCTIONS TO ASSEMBLE

Dismount the fixation screws from the chassis to the engine in the support point marked on the picture (and the opposite side). Mount the crash pads on each own side as the figure shows, using the supplied screws. Once pressed, place the lids (1) and tight it with the fasteners (8). Finally, place the stickers (9) pressing them a few seconds to make sure they are correctly fixed.



MATERIAL SUPPLIED

POSITION	DESCRIPTION	QUANTITY
1	Plastic caps	2
2	M10/125x90 screw DIN912	1
3	M10/125x120 screw DIN912	1
4	∅20ext.∅10int x2 washer	2
5	Nylon protector	2
6	Aluminium metal arrowhead right hand side	1
7	Aluminium metal arrowhead left hand side	1
8	DIN7505 2,5x10 screw	2
9	Sticker	2

If you are not a trained mechanic, please contact a specialist for assembling the crash pads. Motoplastic,S.A. takes no responsibility for damages caused by improper installation. The using of crash pads does not guarantee a full protection in case of accident.