

HUGGER ADAPTABLE TO KAWASAKI Z750R 11-12' / Z1000 07-09'

REF: 4431

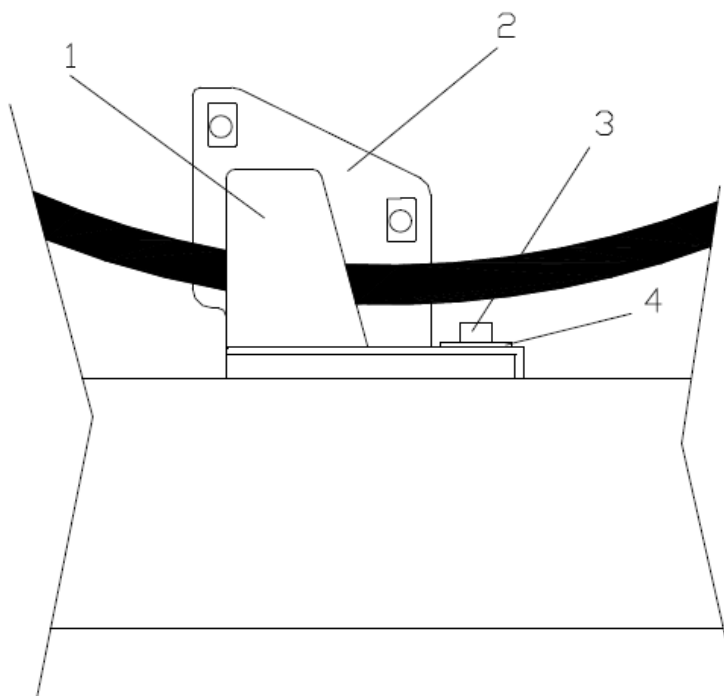


INSTRUCTIONS TO ASSEMBLE

- 1- Dismount the original chainguards.
- 2- Dismount the rear brake line guide (1) off the swing arm. Mount, on the same position, the hardware supplied (2) using the M6x8 (3) and washer (4) supplied, as the figure shows. Place the wellnuts in the hugger drills.
- 3- Mount the rear brake line guide (1) in the threat hole of the hardware (2) using the original fastener.
- 4- Place the wellnuts in the hugger drills.
- 5- Mount the hugger using the M6x15 allen screws.
- 6- Adjust the hugger with the tire through the regulation that the iron fittings offer, and tighten them all.
- 7- Check them periodically, and tighten the fixations.
- 8- In case your motorcycle has other accessories, observe that it does not interfere with the hugger.

Material supplied to assemble the hugger:

POSICION	DESCRIPTION	QTY
1	Black M6x15 DIN1001 Allen screws	4
2	Iron fittings (2 nuts incorporated)	1
5	Wellnuts	4
4	Black M6 DIN9021 washer	1
3	Black M6x8 DIN912 Allen screw	1



Check out a selection of motorcycle frame & body offered in our online store.